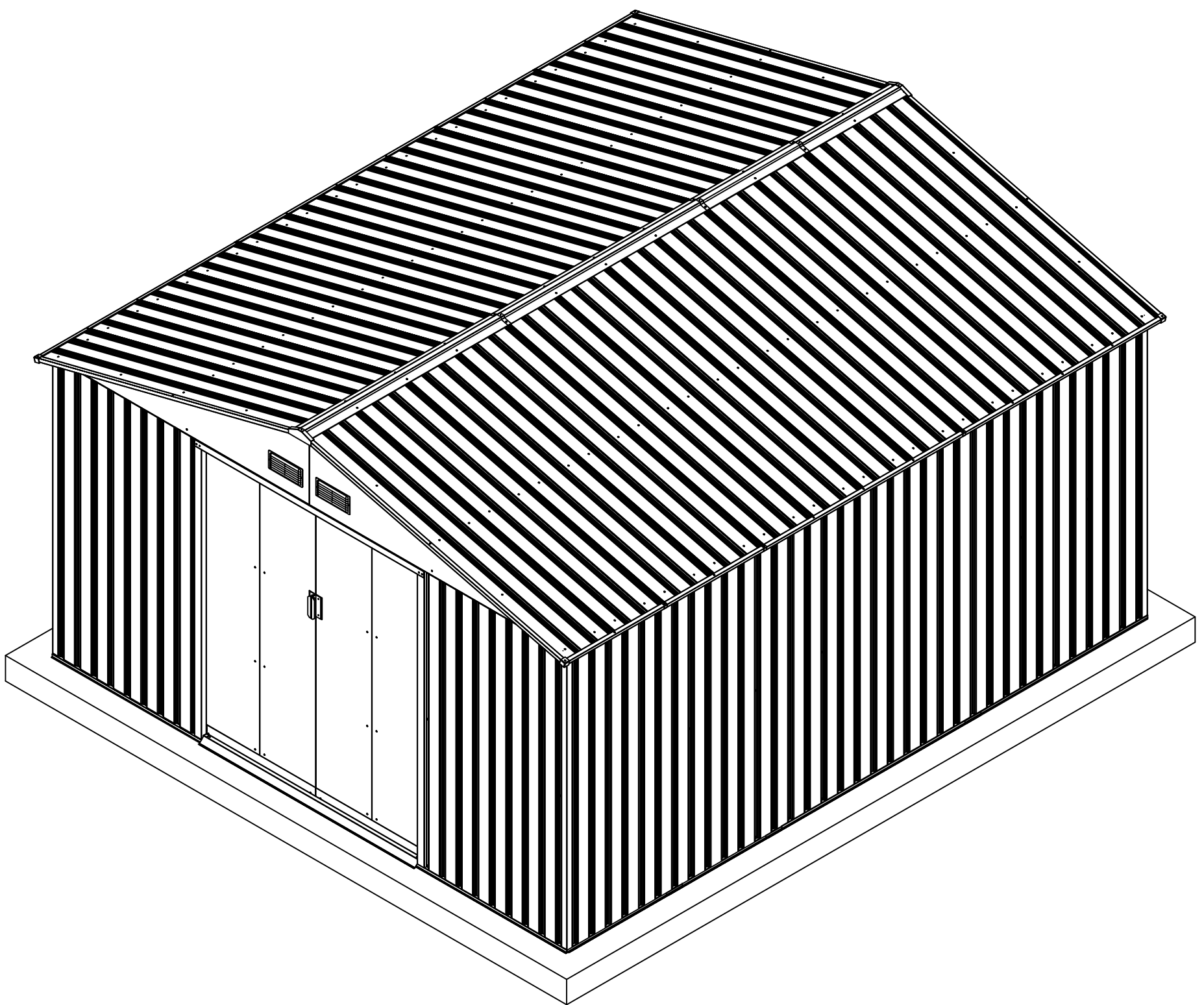


# Metal Shed

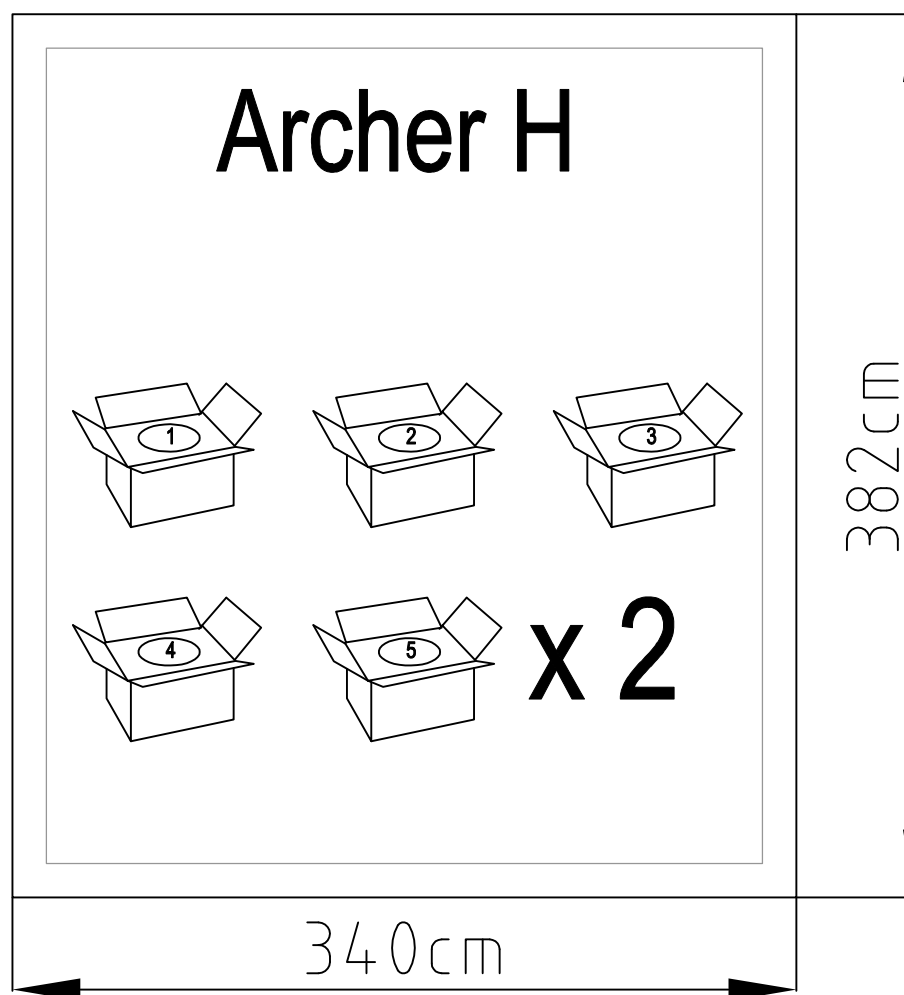
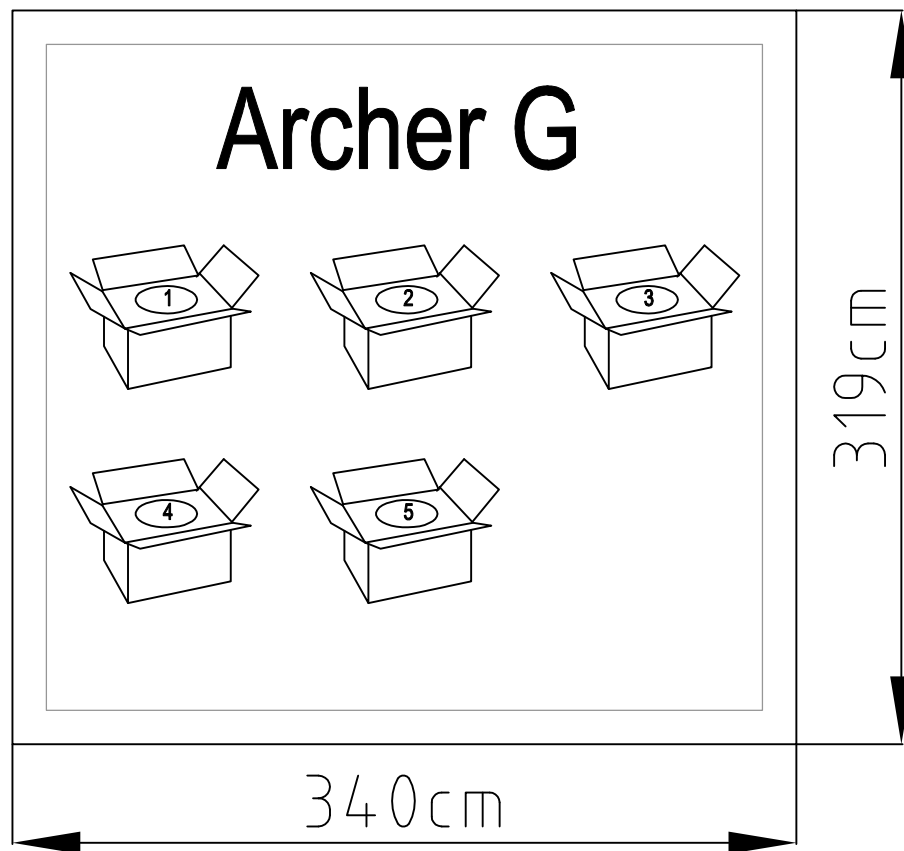
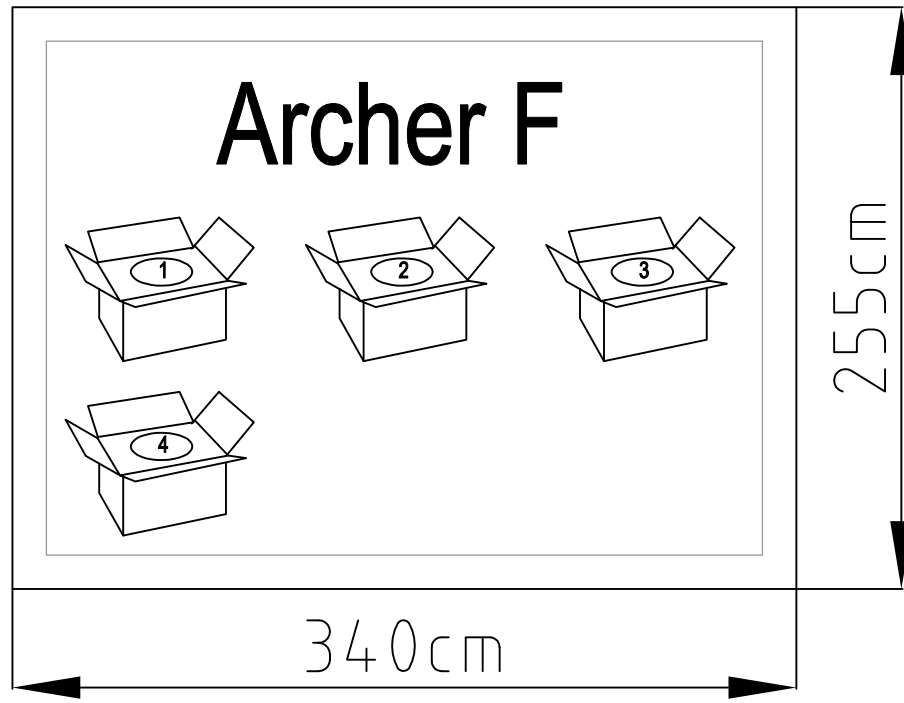
OWNER'S MANUAL /

Instructions for Assembly Archer F (G) (H)

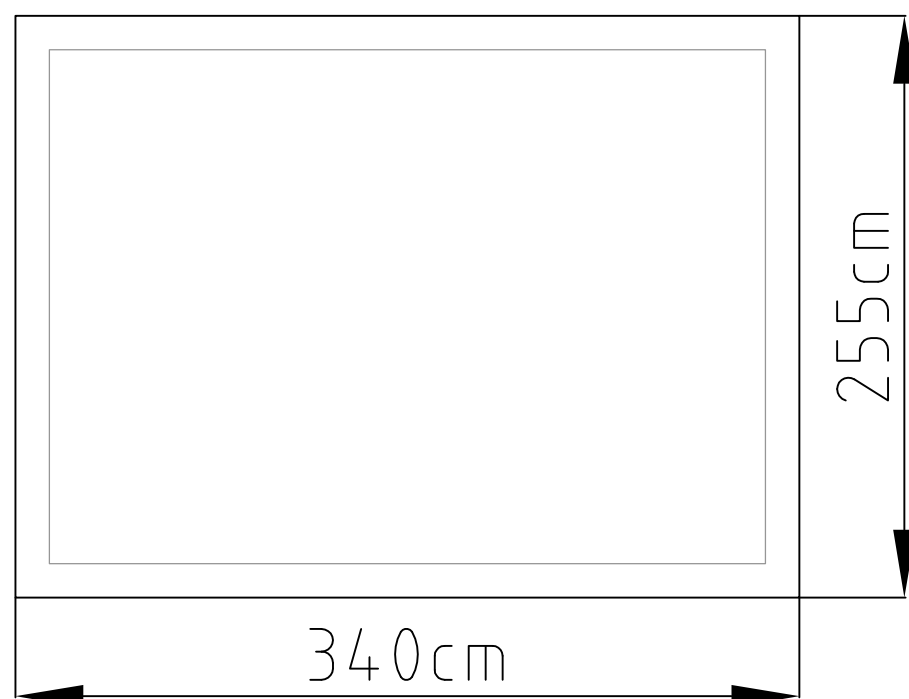
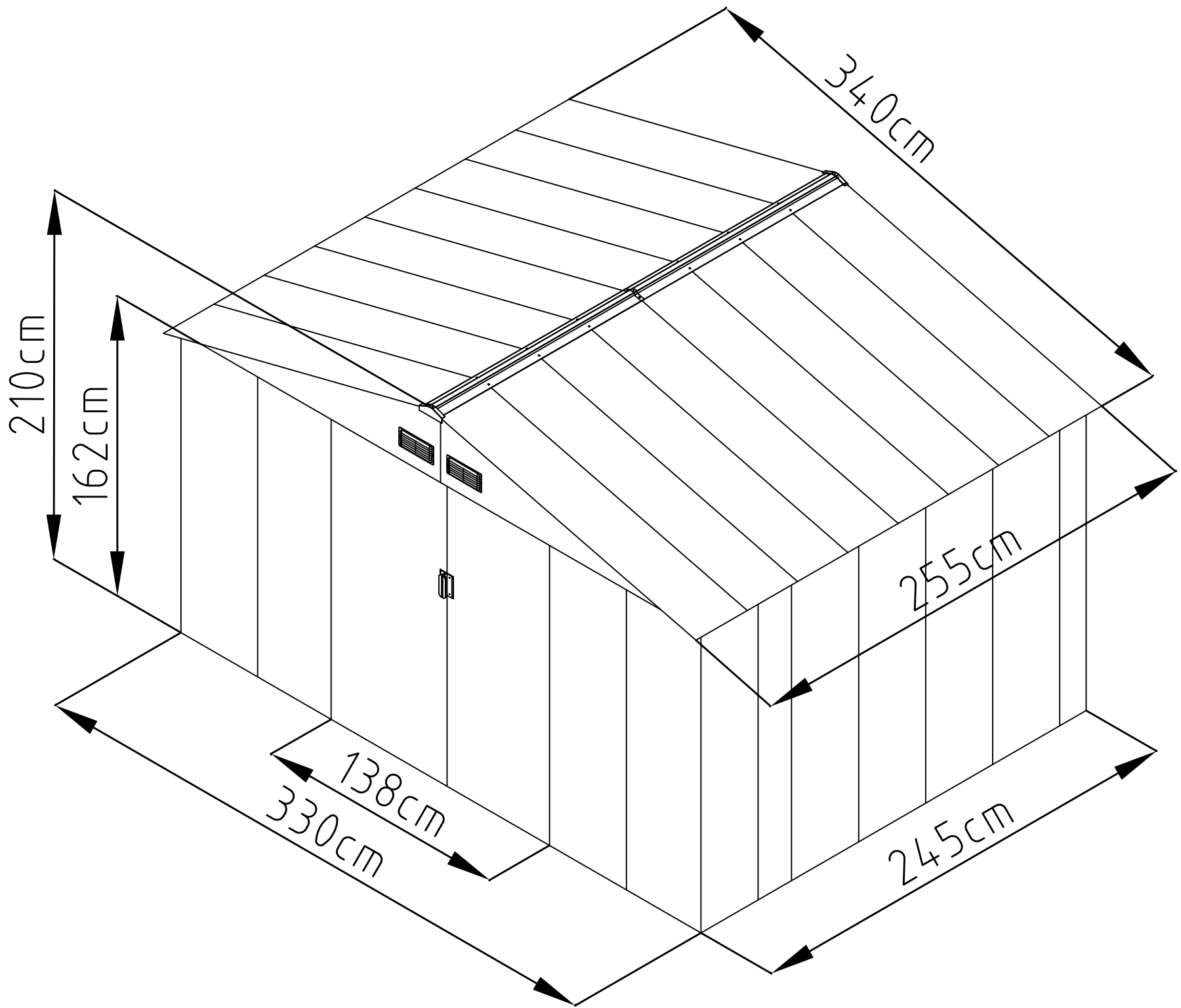


Requires two people and takes 3-4 hours for Installation.

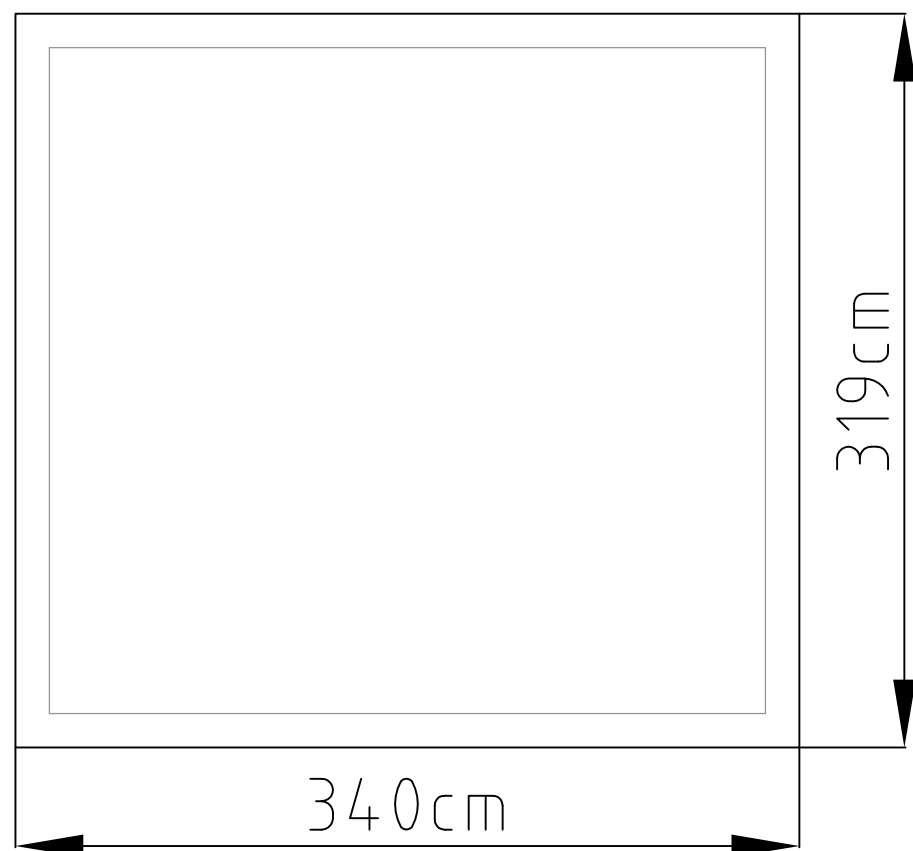
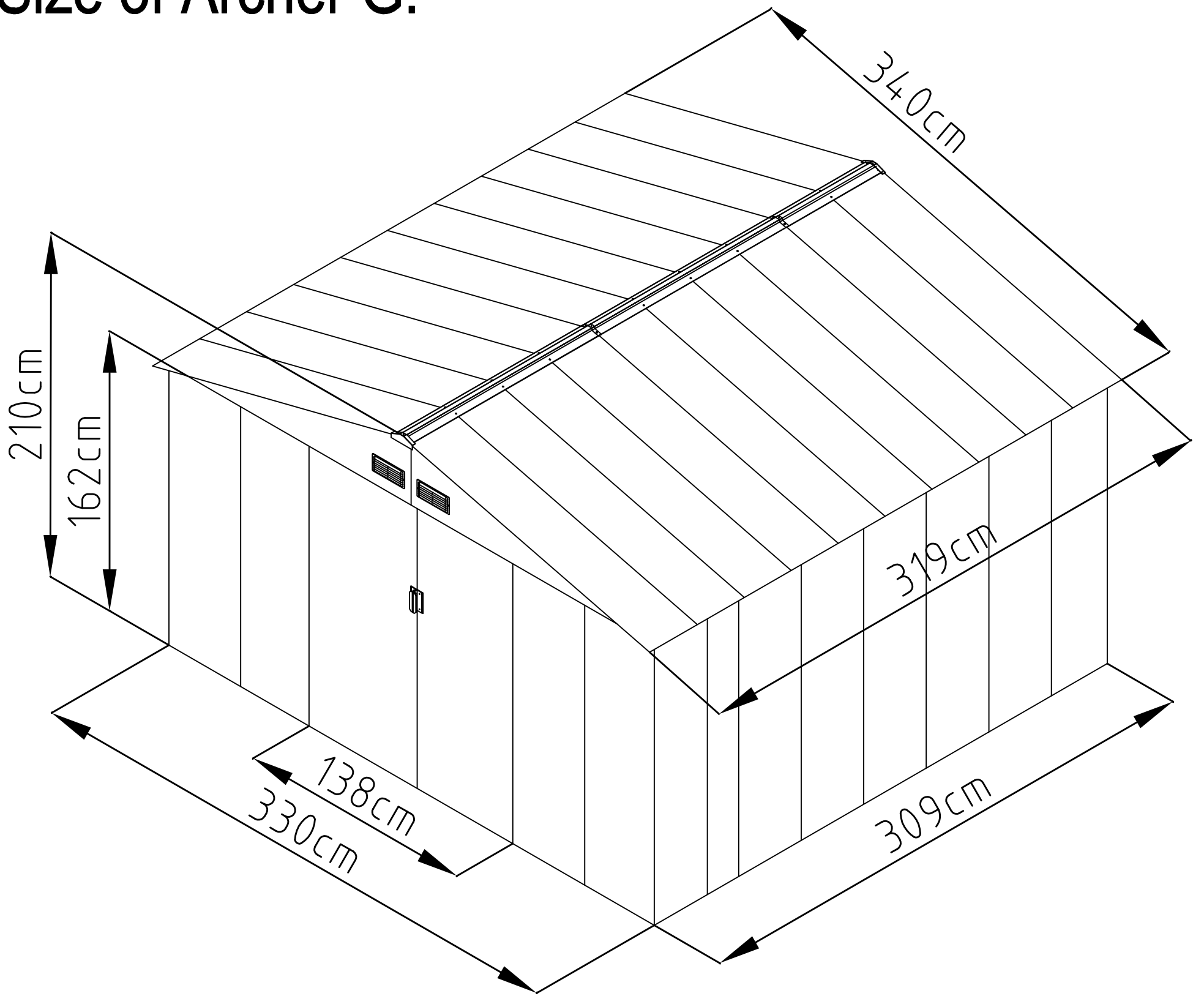




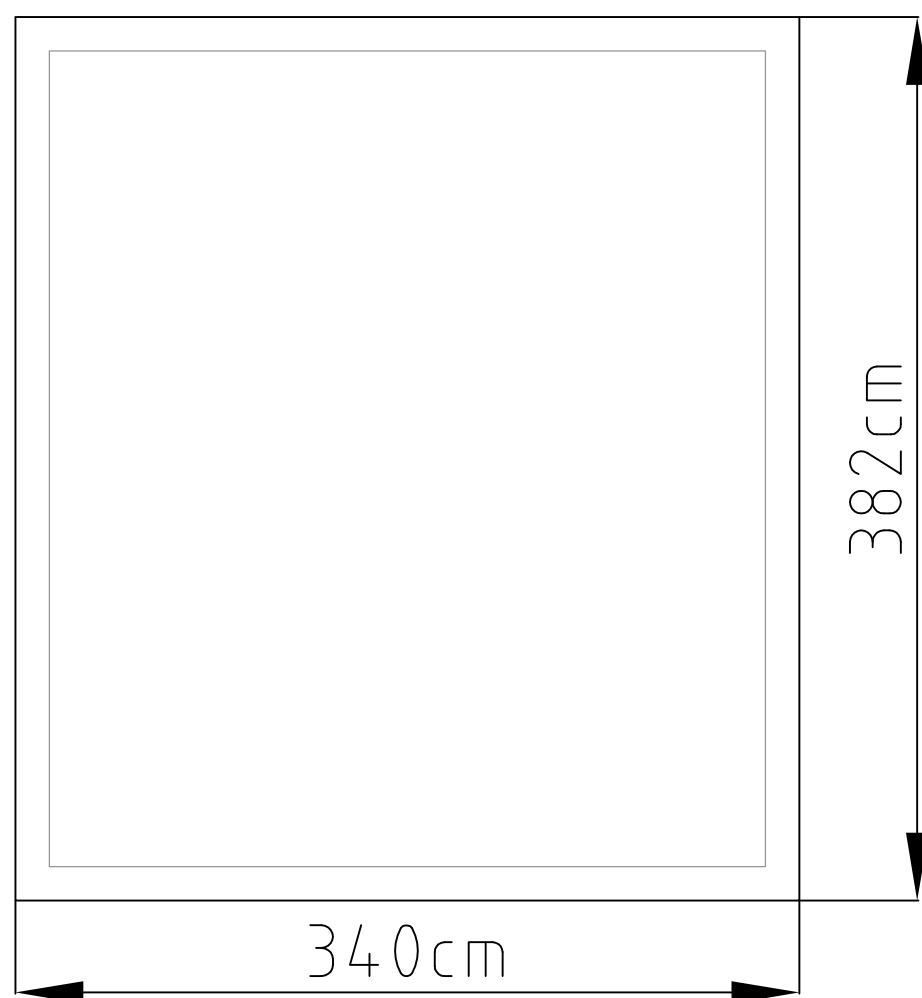
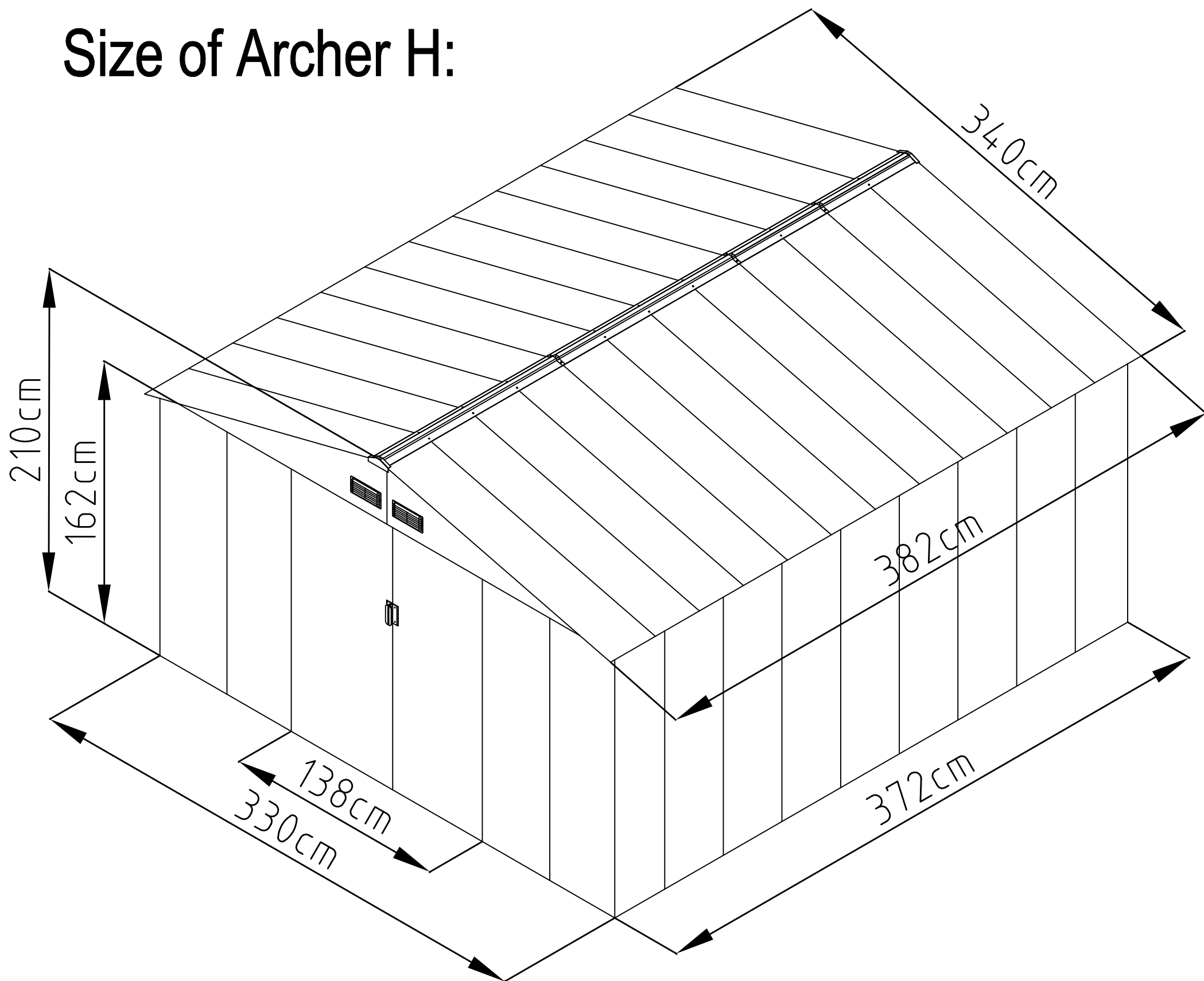
# Size of Archer F:



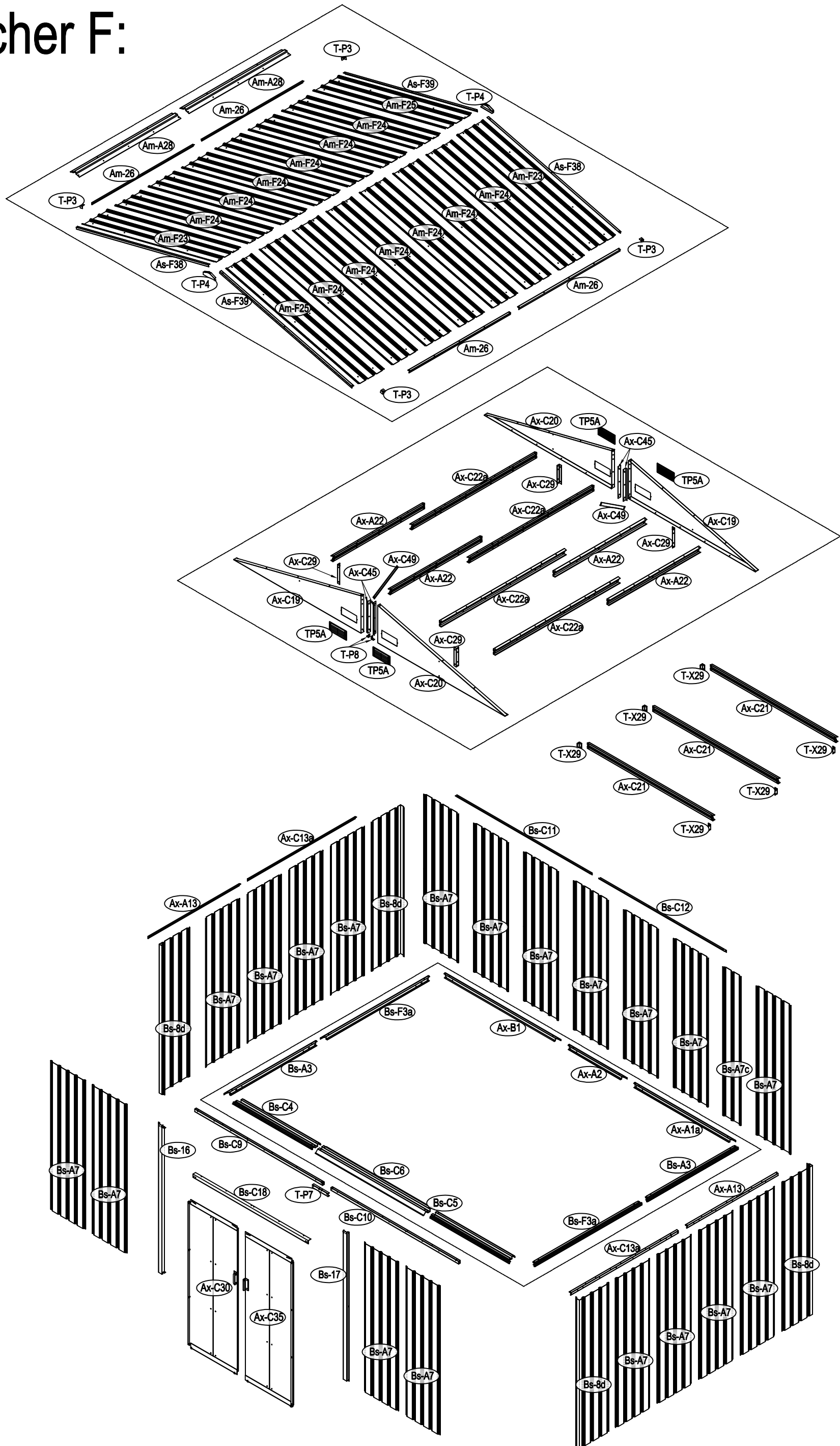
# Size of Archer G:



# Size of Archer H:

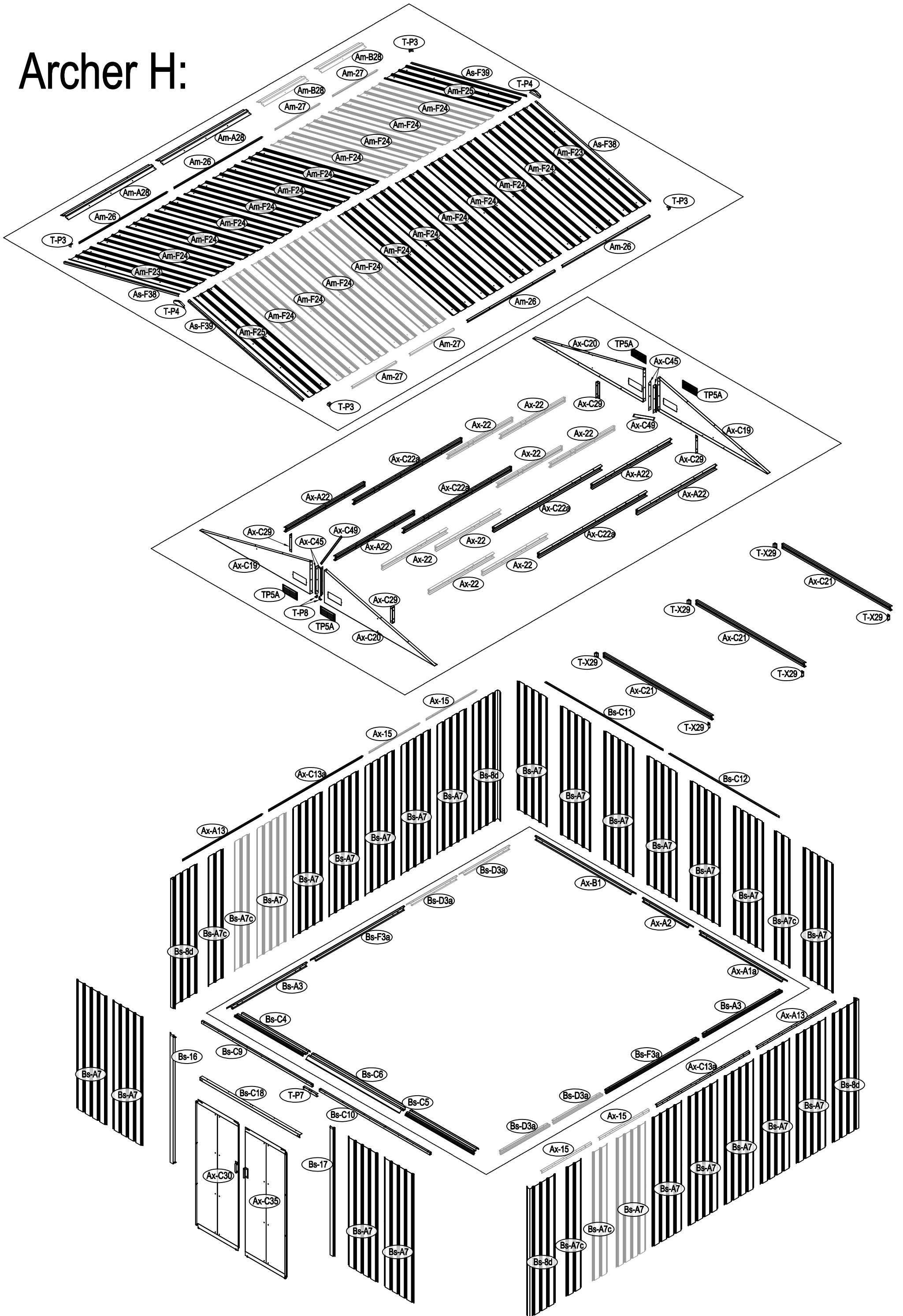


# Archer F:





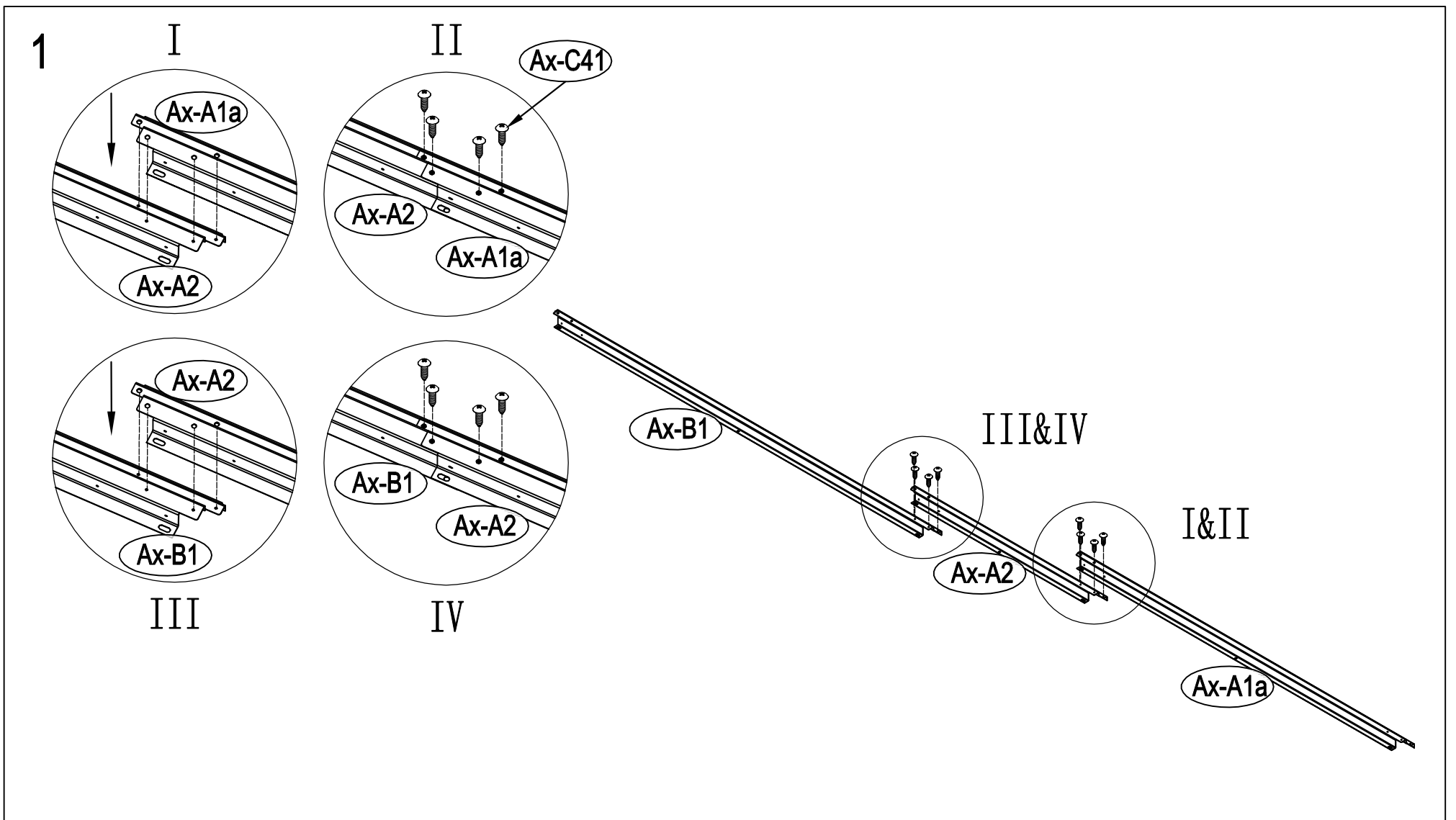
# Archer H:



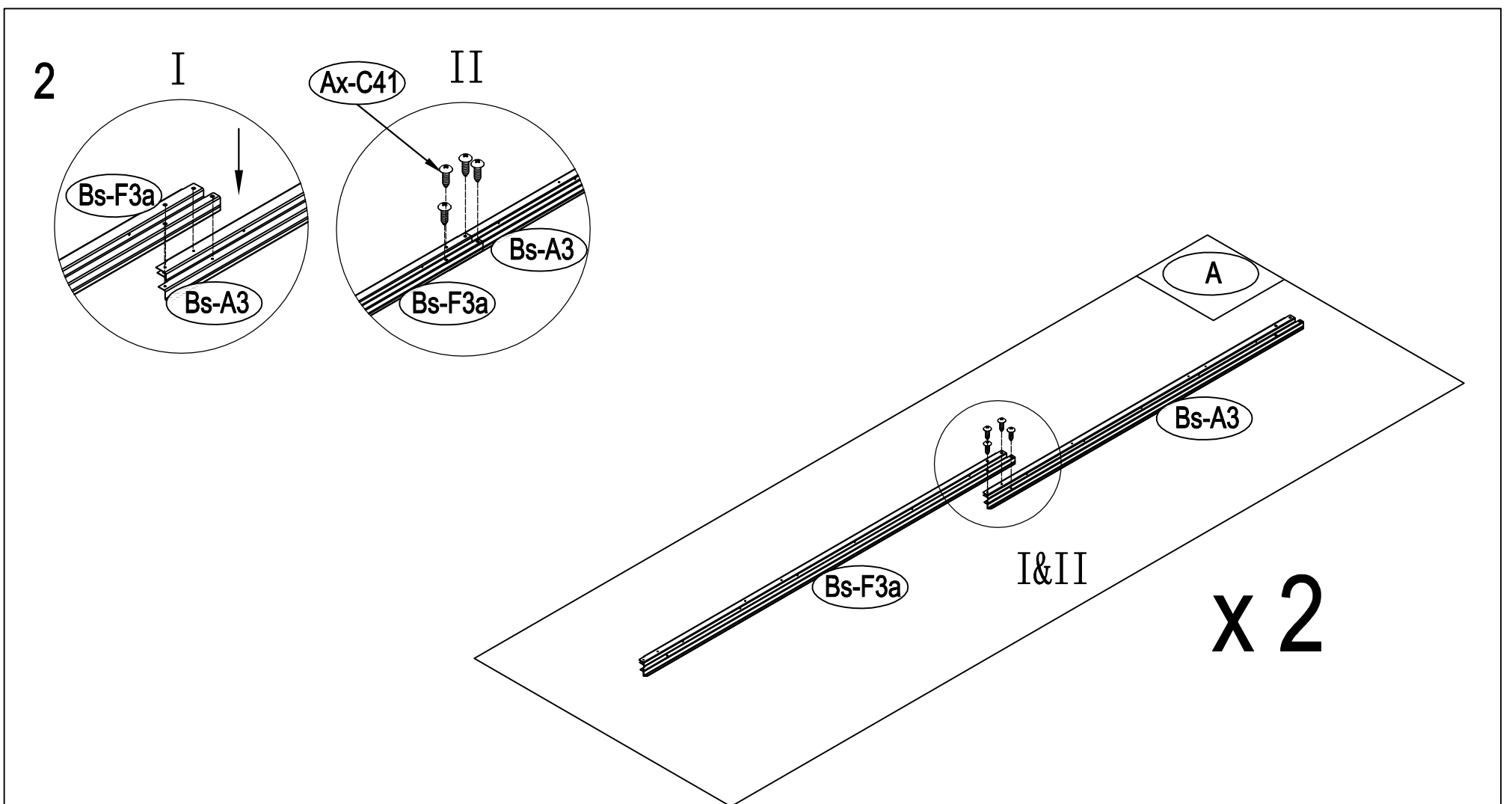


NO.	IMAGE	mm	QTY		NO.	IMAGE	mm	QTY
BOX 1					Bs-C11		1729	x1
Bs-A7		1648	x7	Bs-C12	1610		x1	
Bs-A7c		1648	x1	Ax-A13		1168	x2	
Bs-8d		1648	x4	Ax-C13a		1378	x2	
Bs-16		1648	x1	Ax-C21		1602	x3	
Bs-17		1648	x1	Ax-A22		1170	x4	
Bs-C18		1470	x1	Ax-C22a		1489.5	x4	
Ax-C19		1628	x2	Am-26		1296	x4	
Ax-C20		1628	x2	As-F38		1746	x2	
Ax-C33		696	x1	As-F39		1746	x2	
Ax-C34		696	x1	T-X29	56	x6		
Ax-C36		696	x1	Ax-C29	206	x4		
Ax-C37		696	x1	Ax-C45	352	x4		
			x1	Ax-C49		282.5	x2	
BOX 2					Ts-31		1583	x2
Bs-A7		1648	x12	Ax-31a		1583	x2	
Am-A28		1298	x2	Ax-C32		339	x4	
Ax-C30		1583	x1	Ax-C32a		317	x4	
Ax-C35		1583	x1	T-P1			x4	
Ax-C30a		1583	x2	T-P2			x4	
BOX 3					T-P3			x4
Am-F23		1748	x2	T-P4			x2	
Am-F24		1748	x12	TP5A			x4	
Am-F25		1748	x2	T-P6			x2	
BOX 4					T-P7		200	x1
Ax-B1		1480	x1	T-P8			x2	
Ax-A1a		1287	x1	Ax-C40			x286	
Ax-A2		741	x1	Ax-C41		ST4x10	x323	
Bs-A3		1174	x2	Ax-C42		ST4x16	x22	
Bs-F3a		1380	x2	Ax-C43		M4x10	x157	
Bs-C4		1016	x1	Ax-C44			x106	
Bs-C5		1016	x1	BOX 5				
Bs-C6		1384	x1	Bs-D3a		741	x2	
Bs-C9		1634.5	x1	Bs-A7		1648	x2	
Bs-C10		1634.5	x1	Bs-A7c		1648	x2	



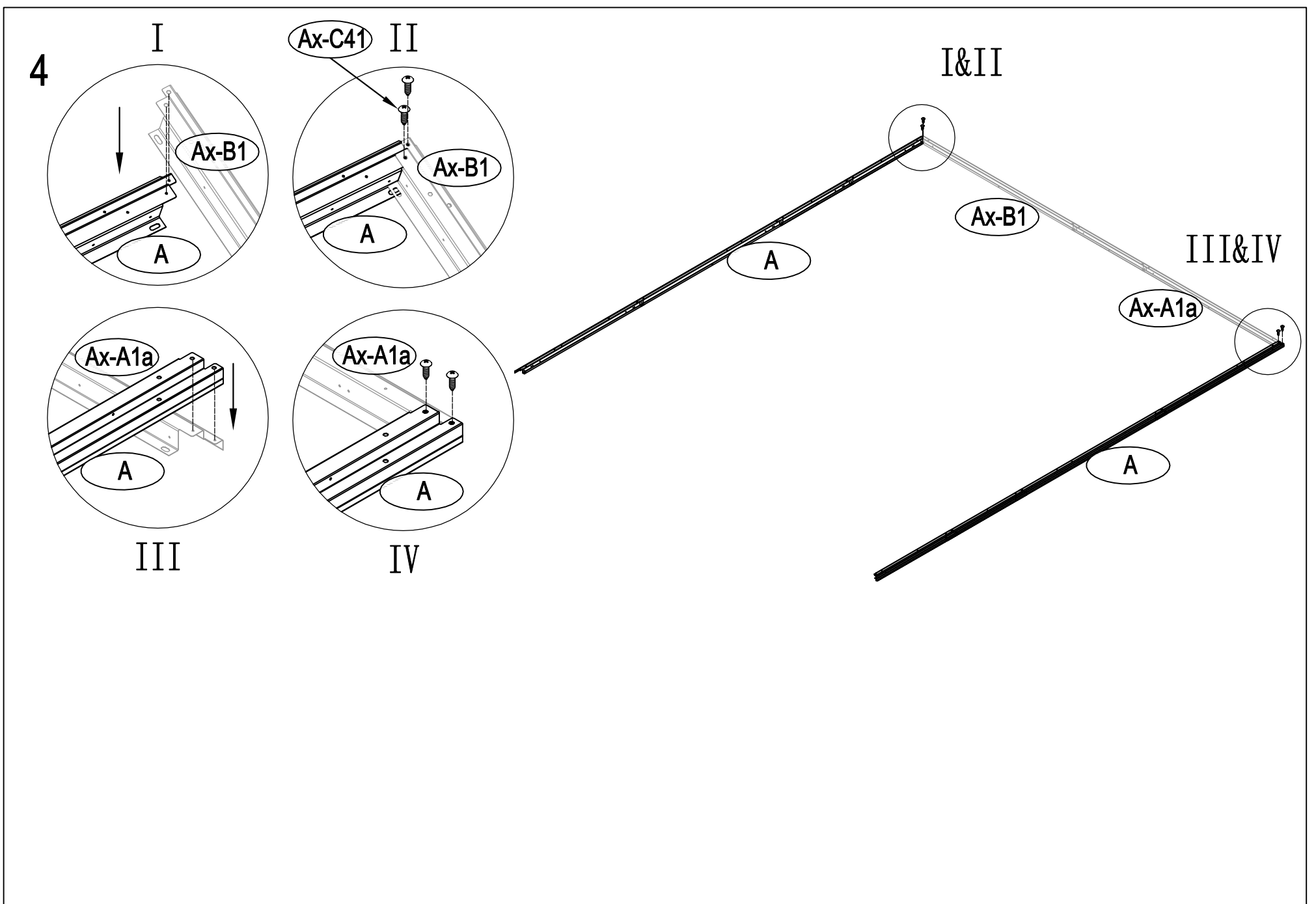
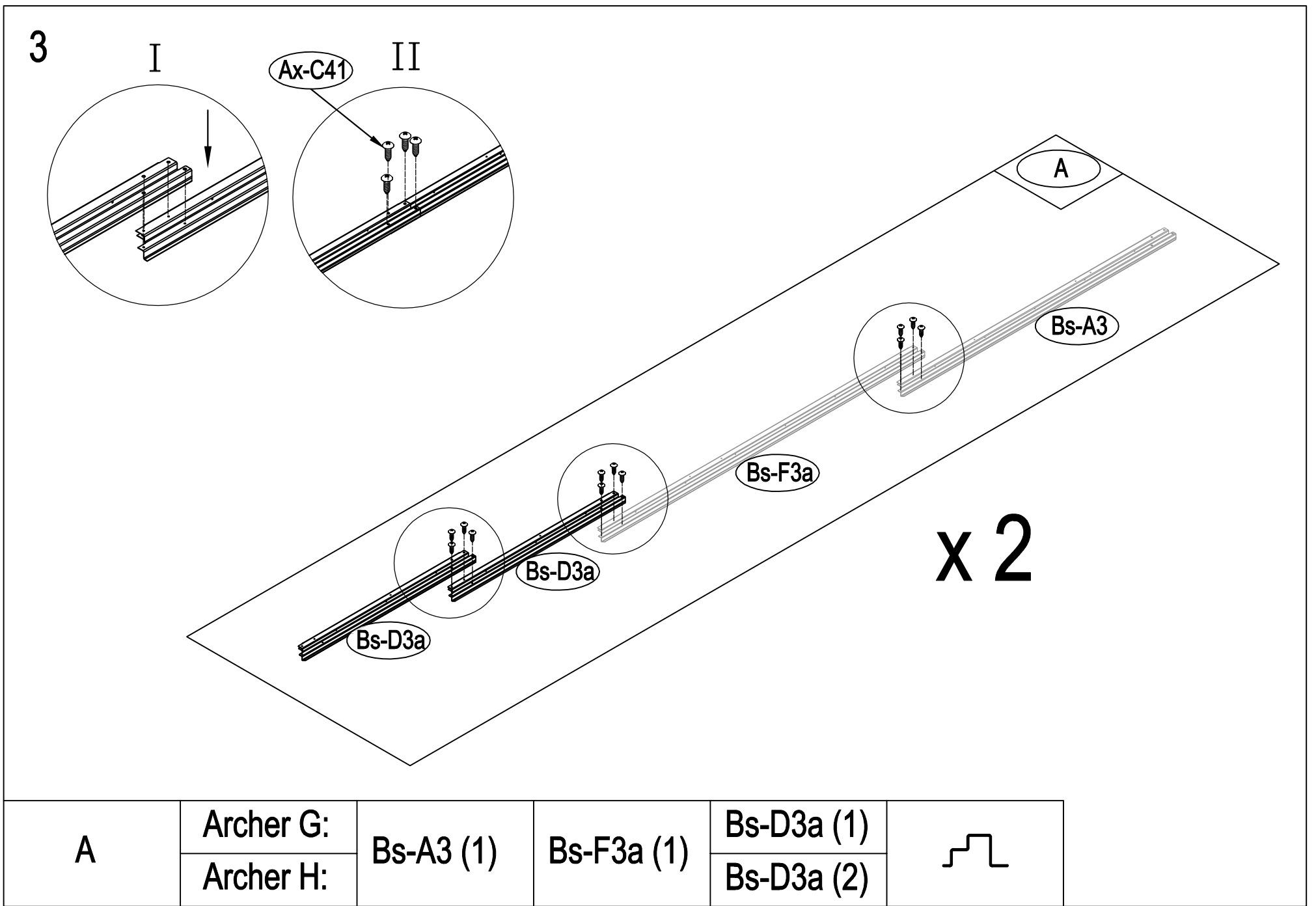


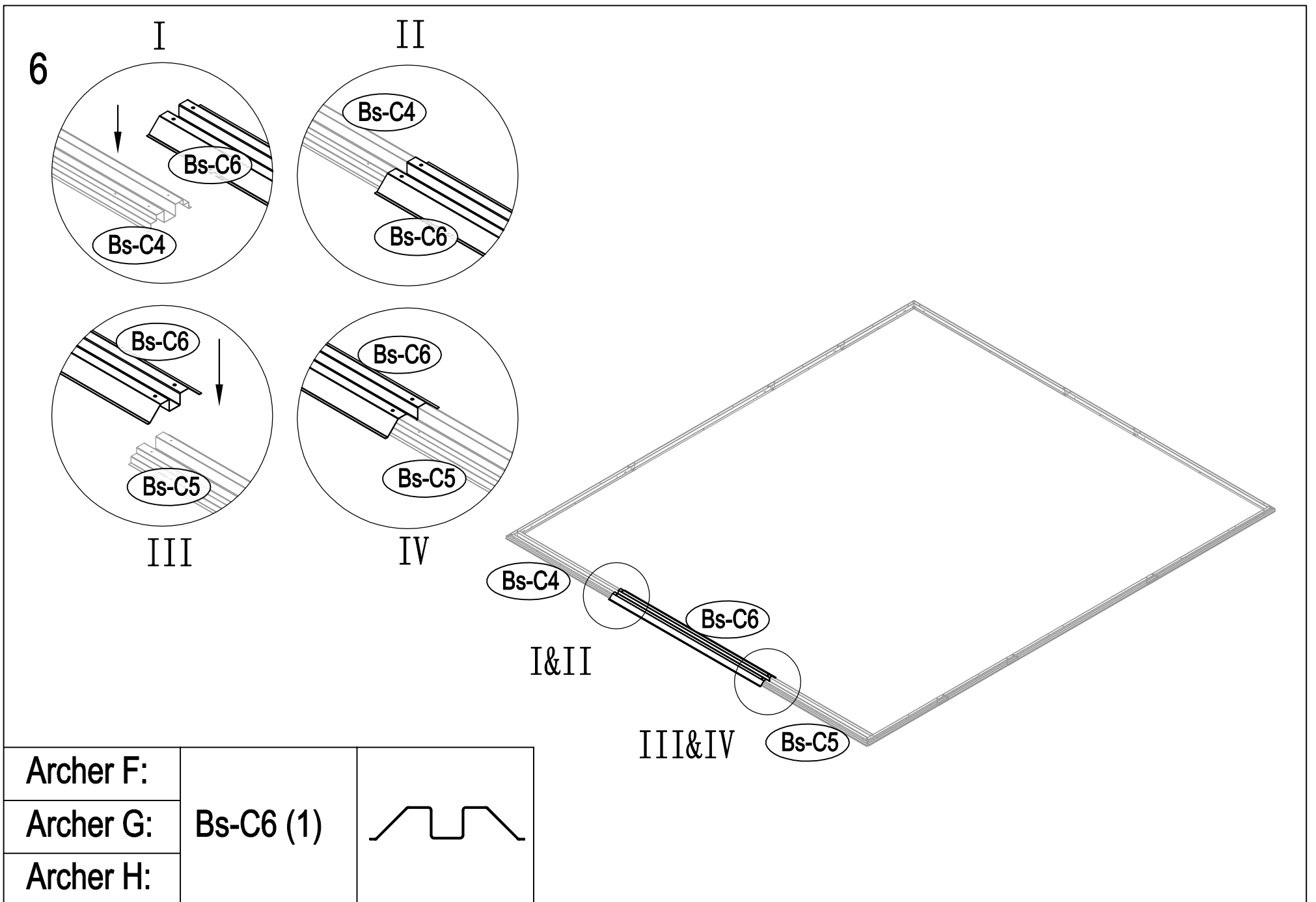
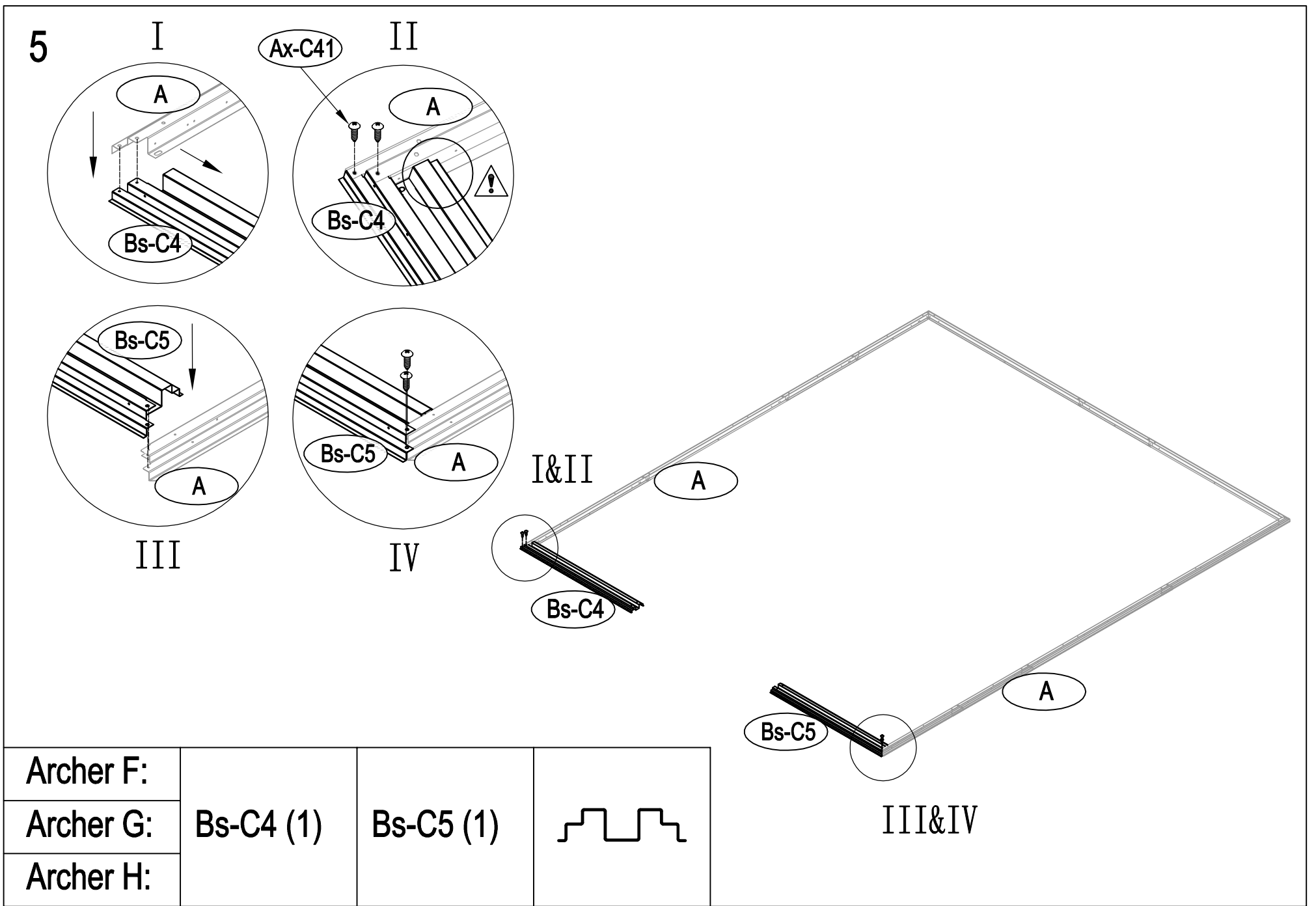
Archer F:				
Archer G:	Ax-B1 (1)	Ax-A1a (1)	Ax-A2 (1)	
Archer H:				

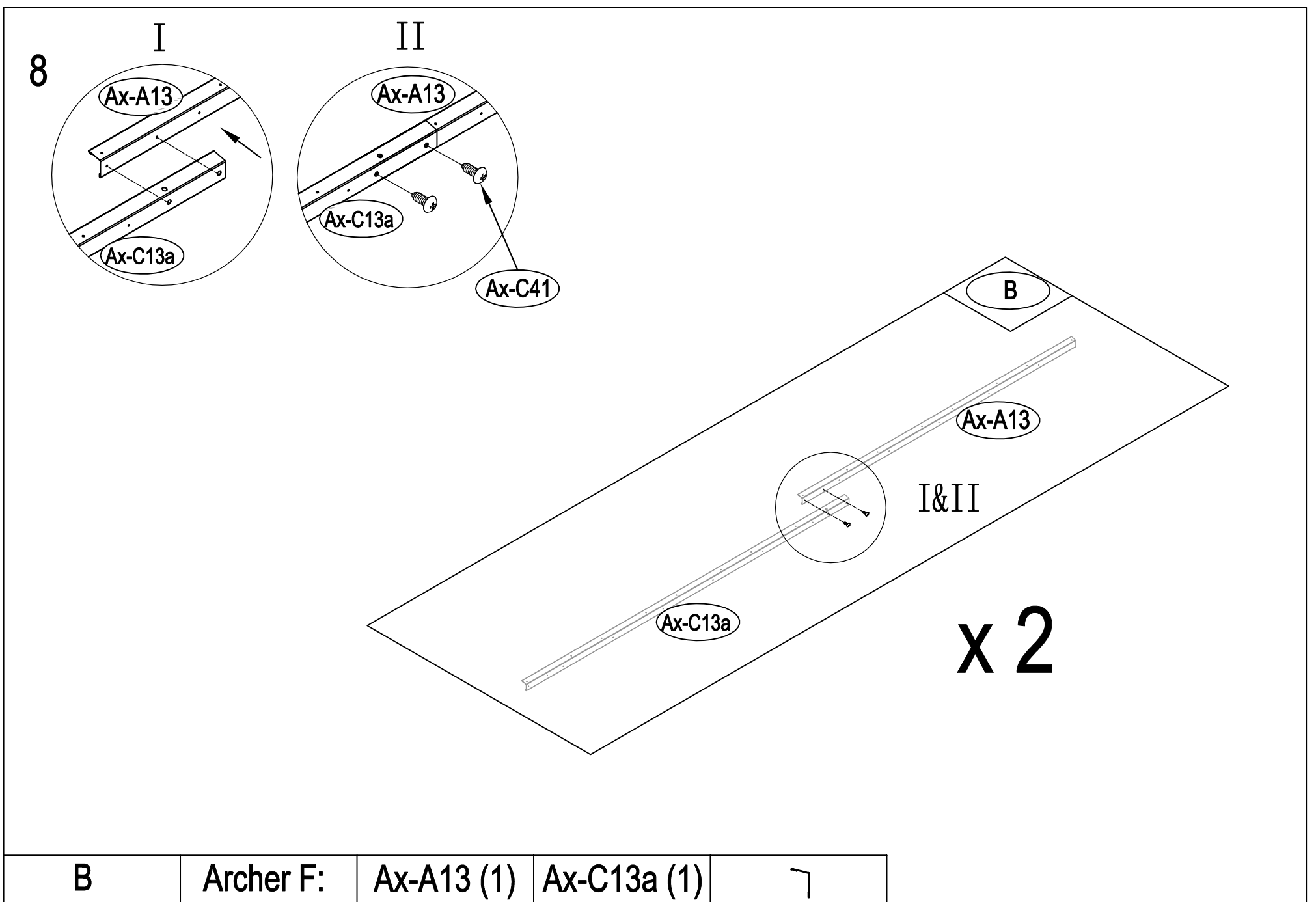
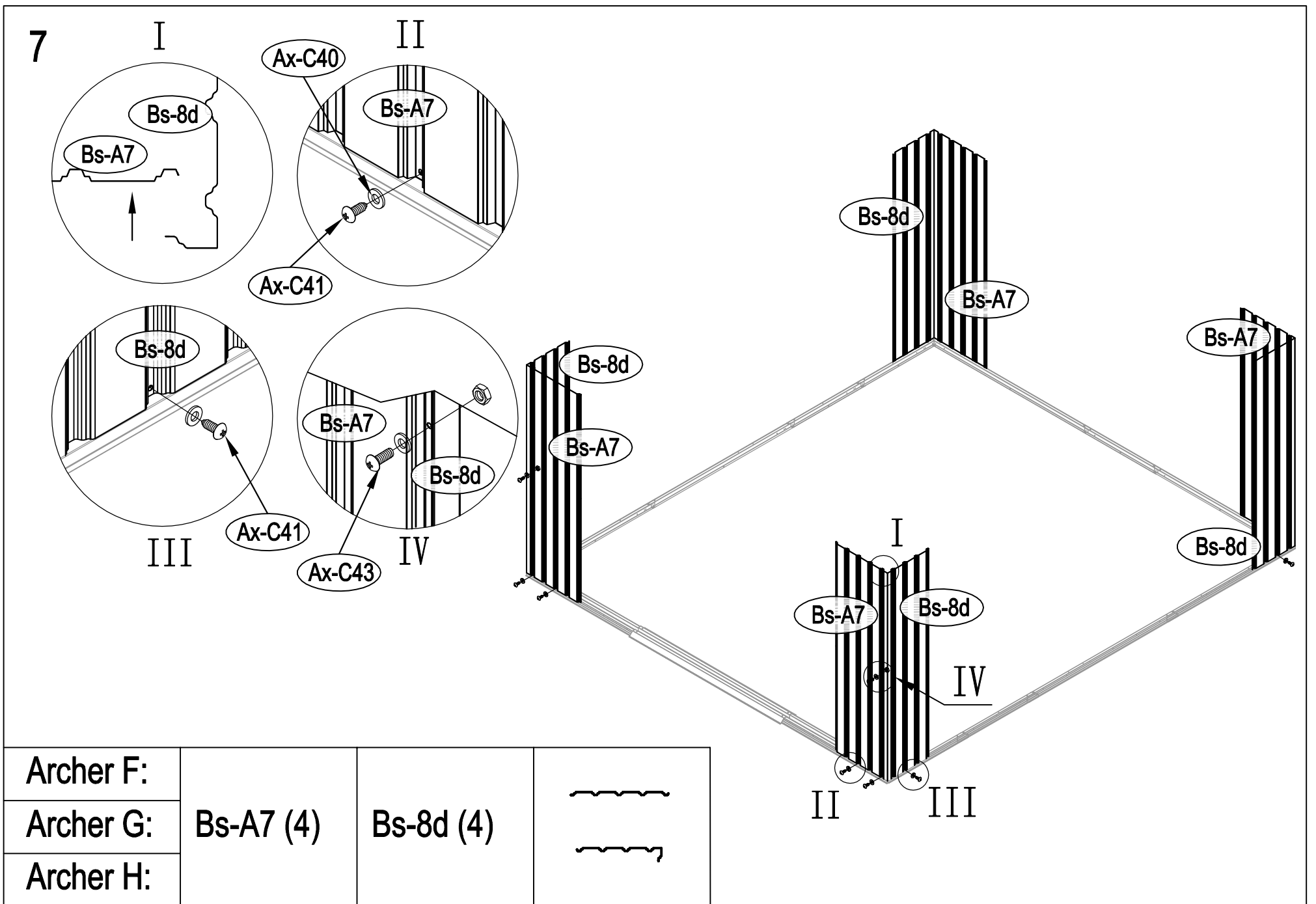


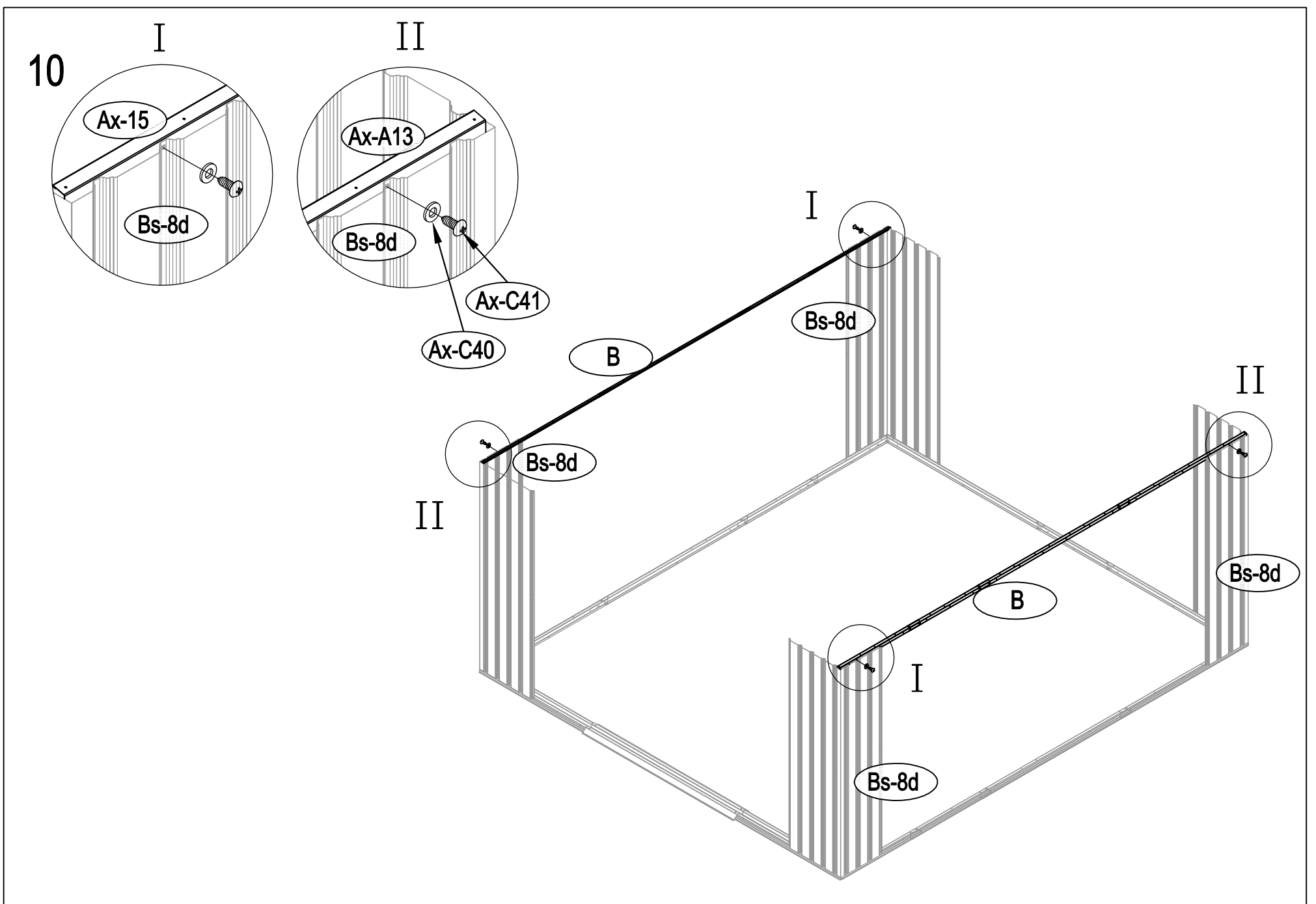
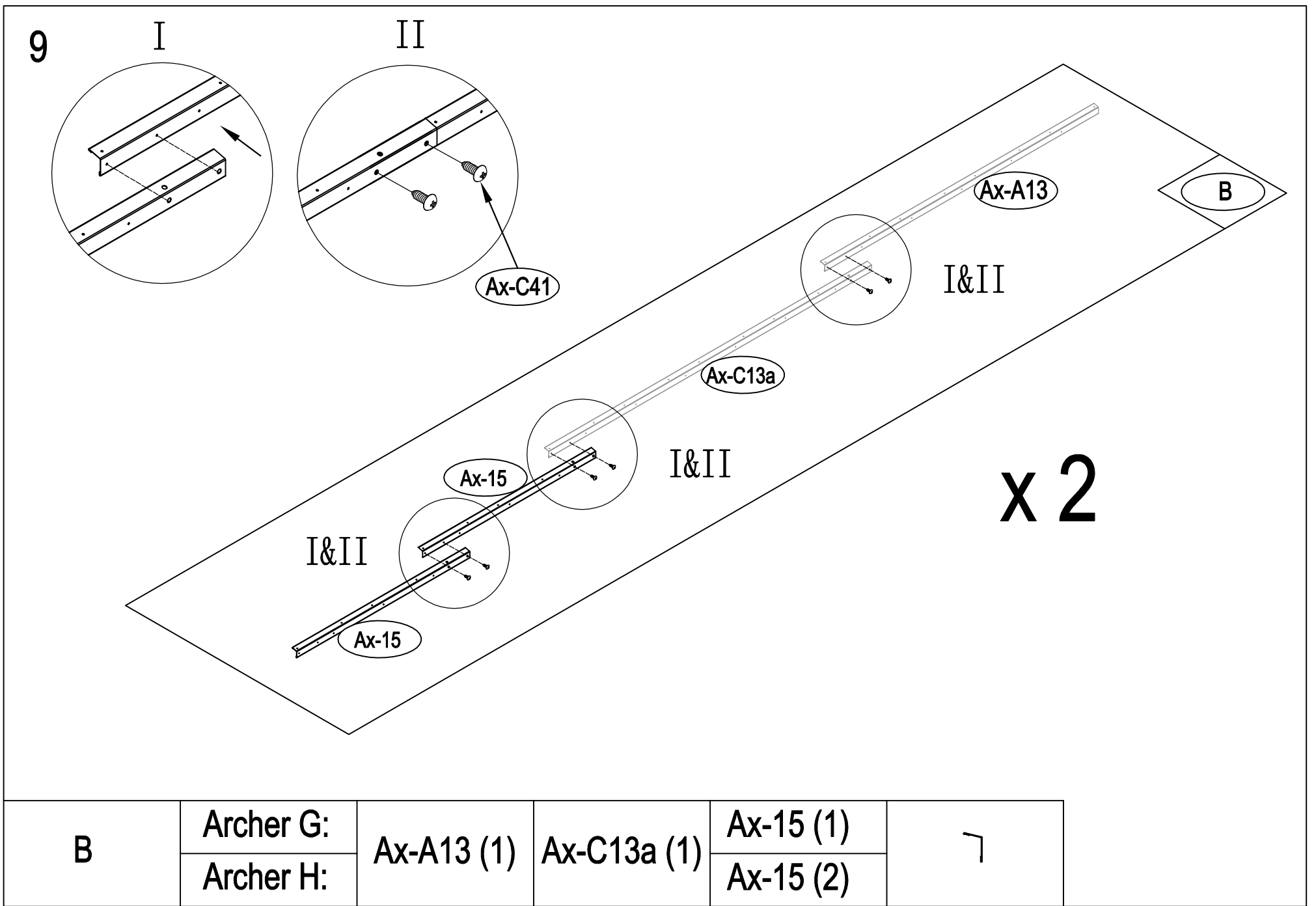
A	Archer F:	Bs-A3 (1)	Bs-F3a (1)	
---	-----------	-----------	------------	--



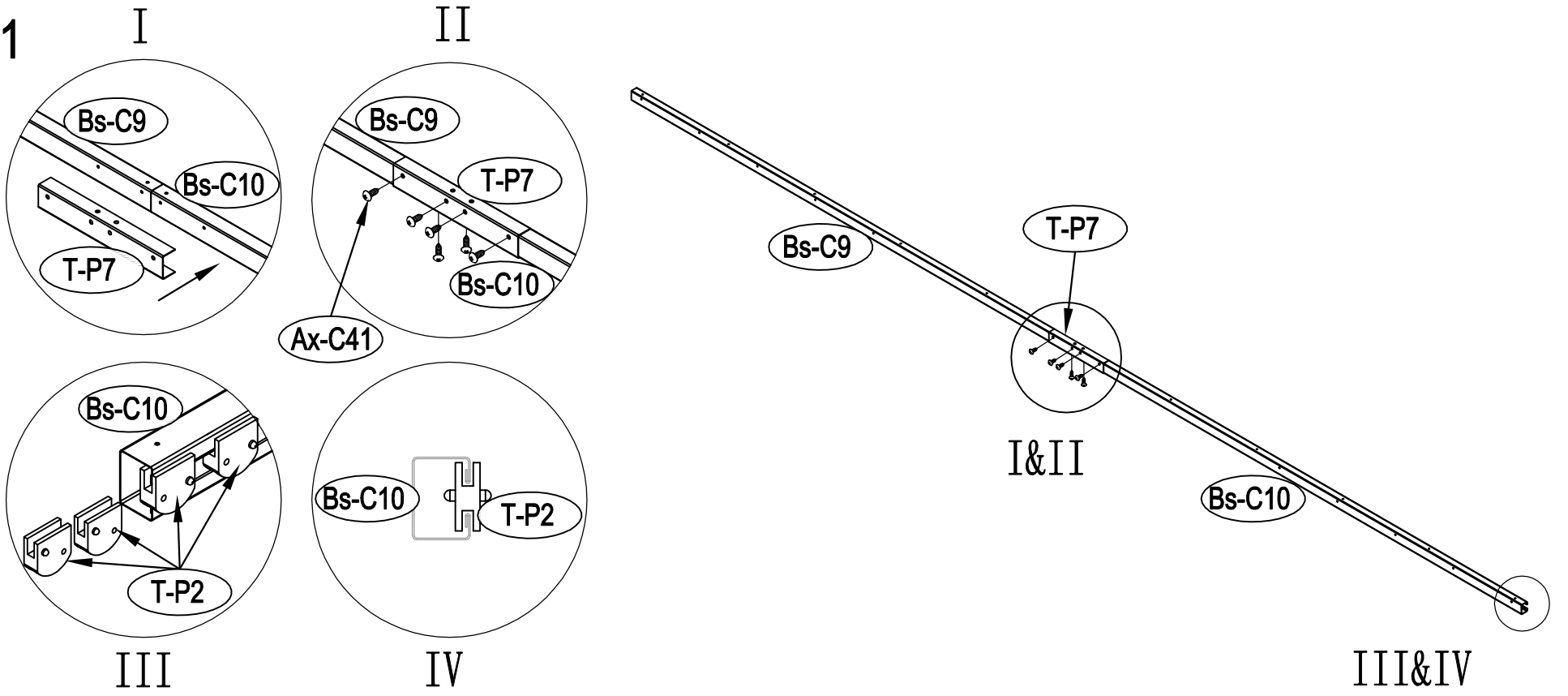




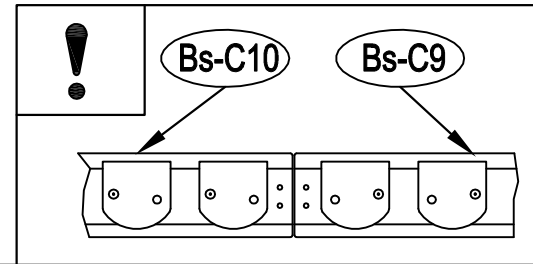




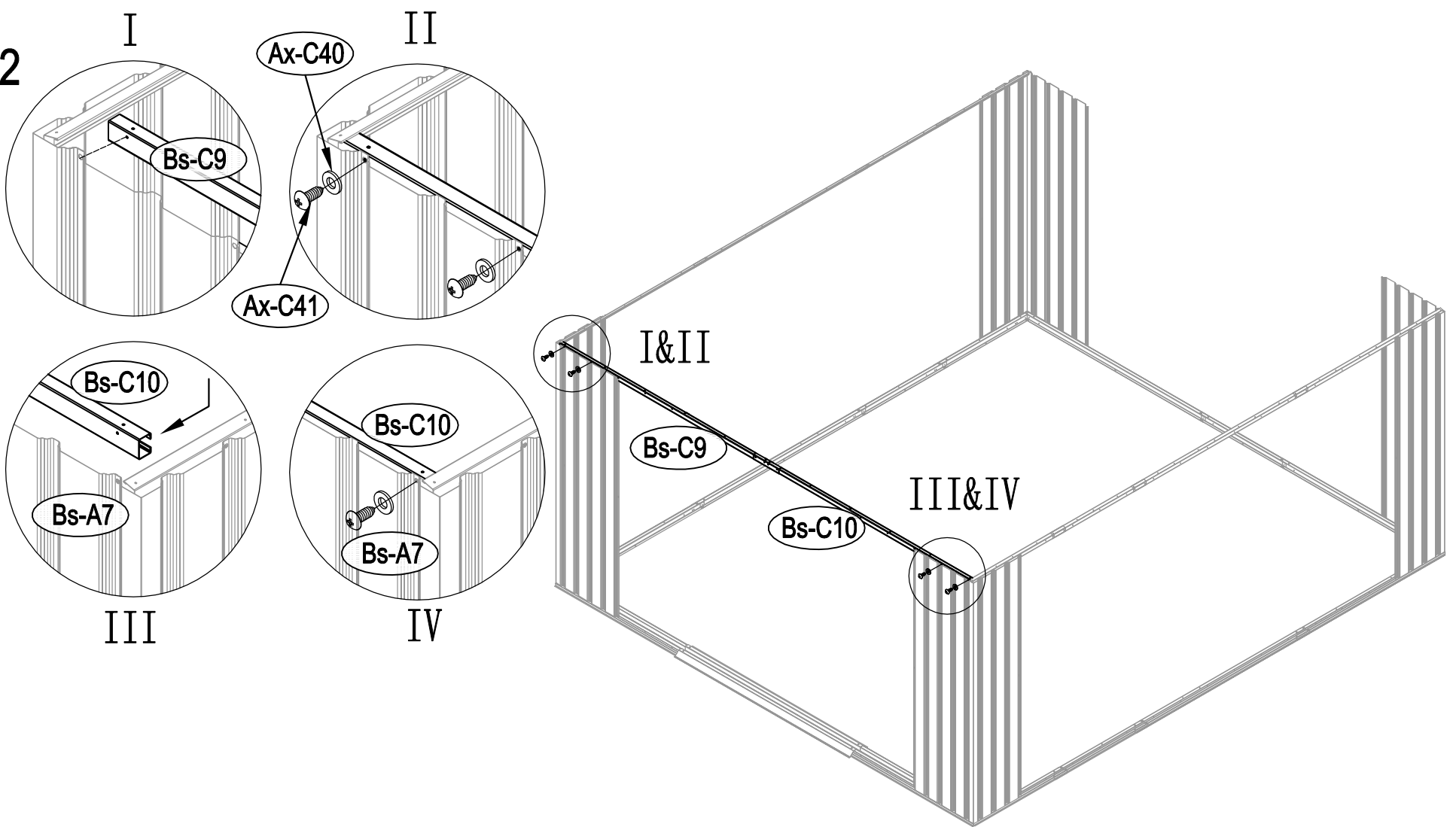
11



Archer F:			
Archer G:	Bs-C9 (1)	Bs-C10 (1)	□
Archer H:			

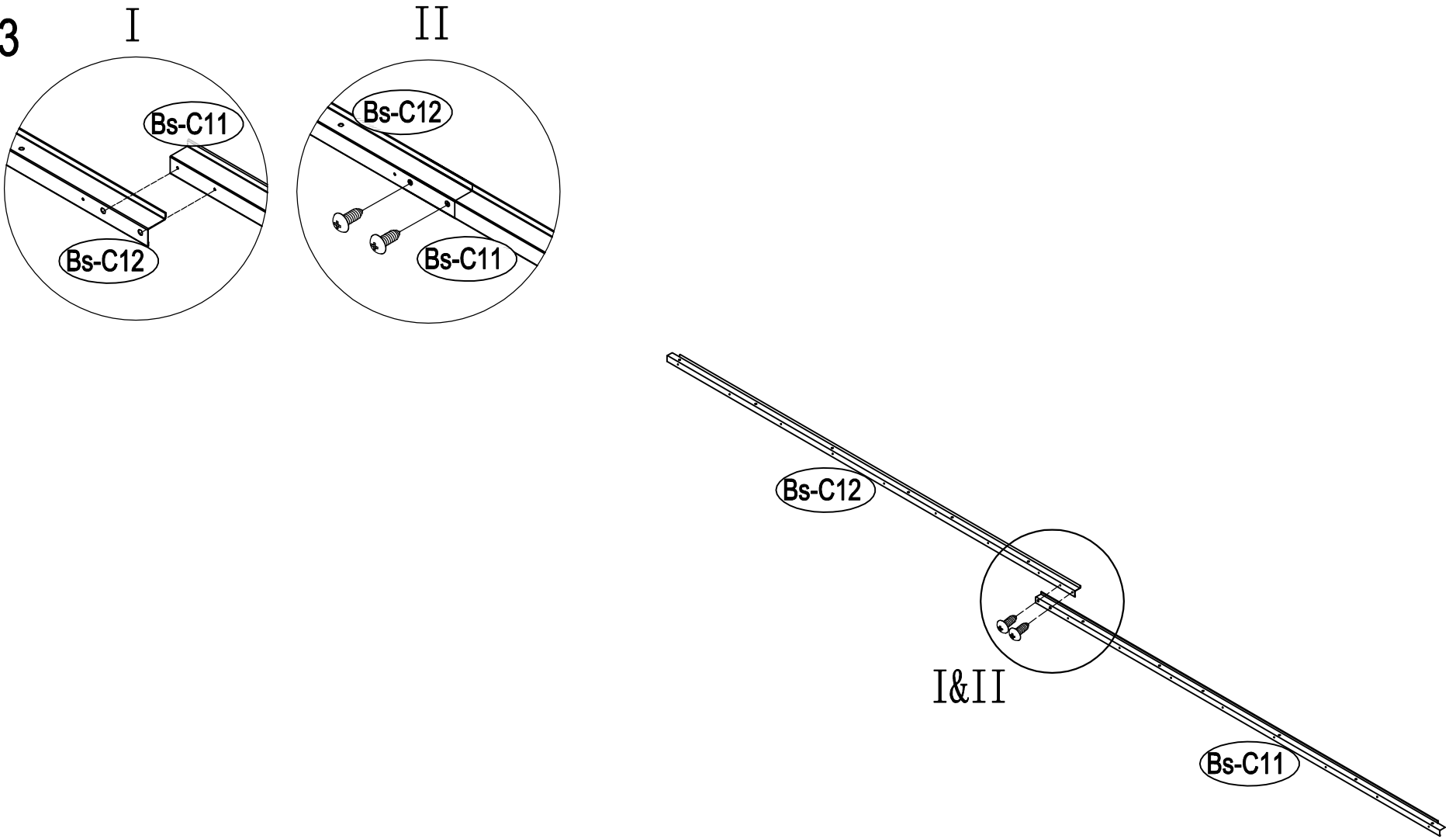


12



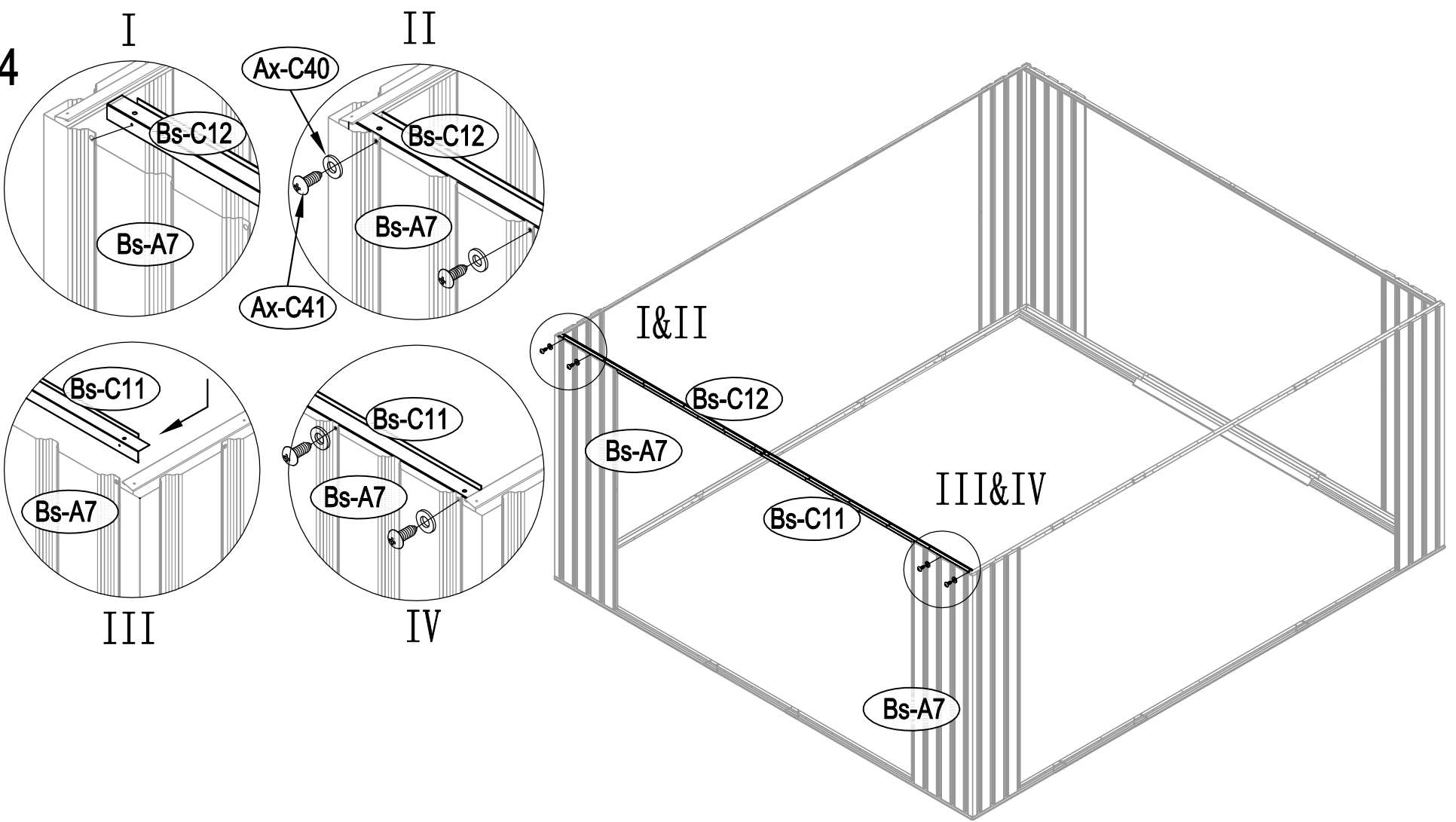


13

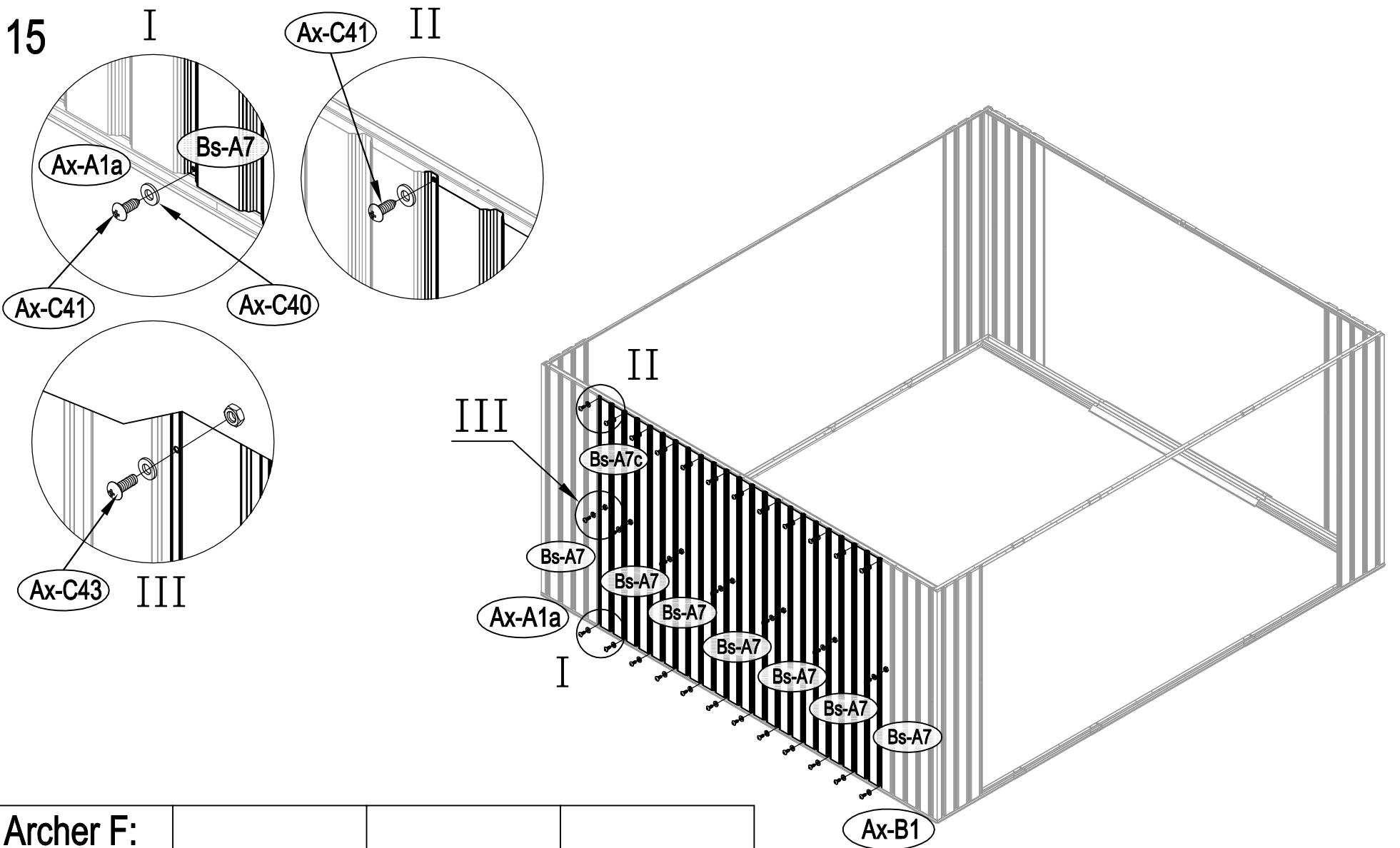


Archer F:			
Archer G:	Bs-C11 (1)	Bs-C12 (1)	└
Archer H:			

14

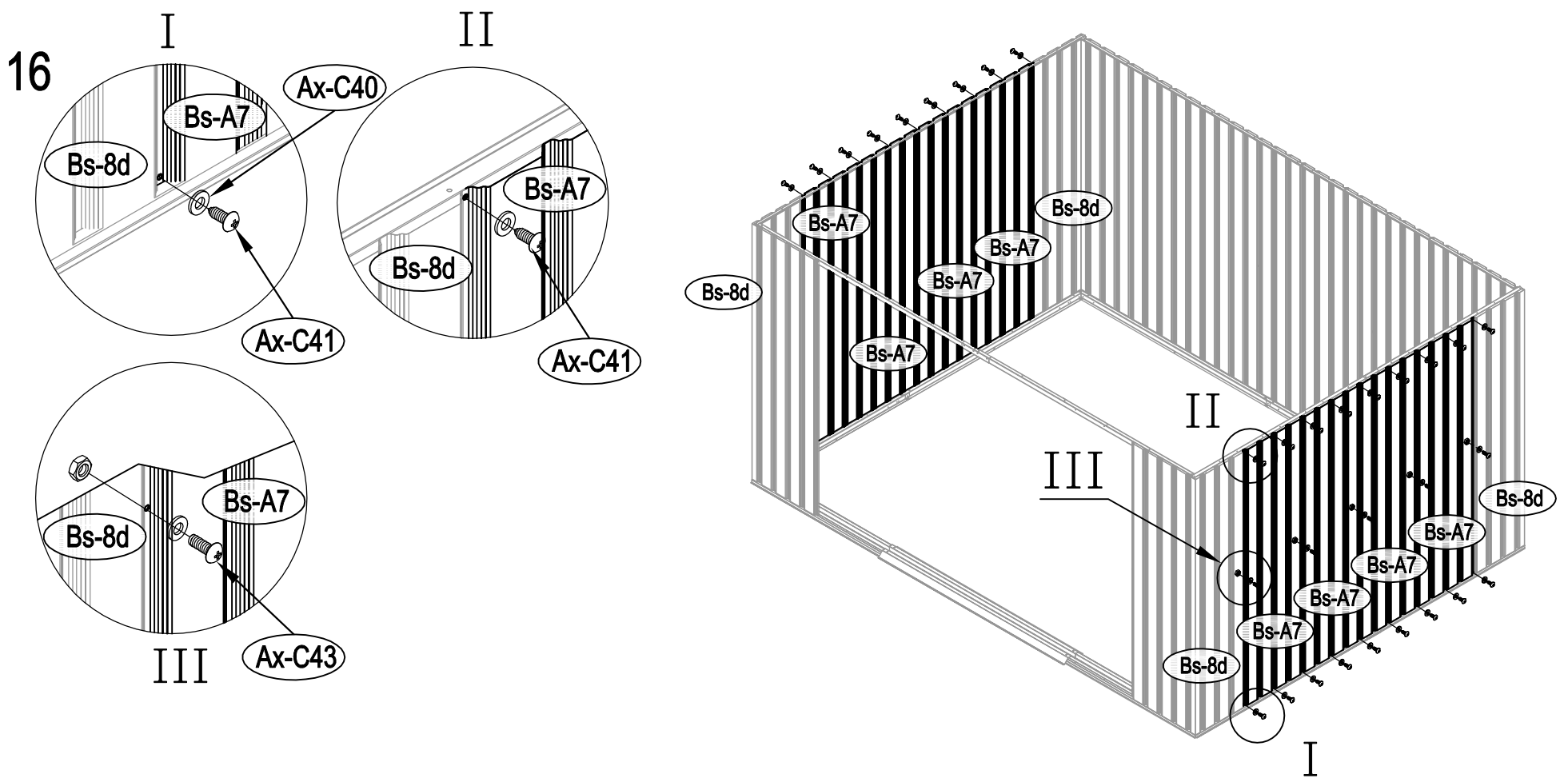


15



Archer F:			
Archer G:	Bs-A7 (5)	Bs-A7c (1)	~~~~~
Archer H:			~~~~~

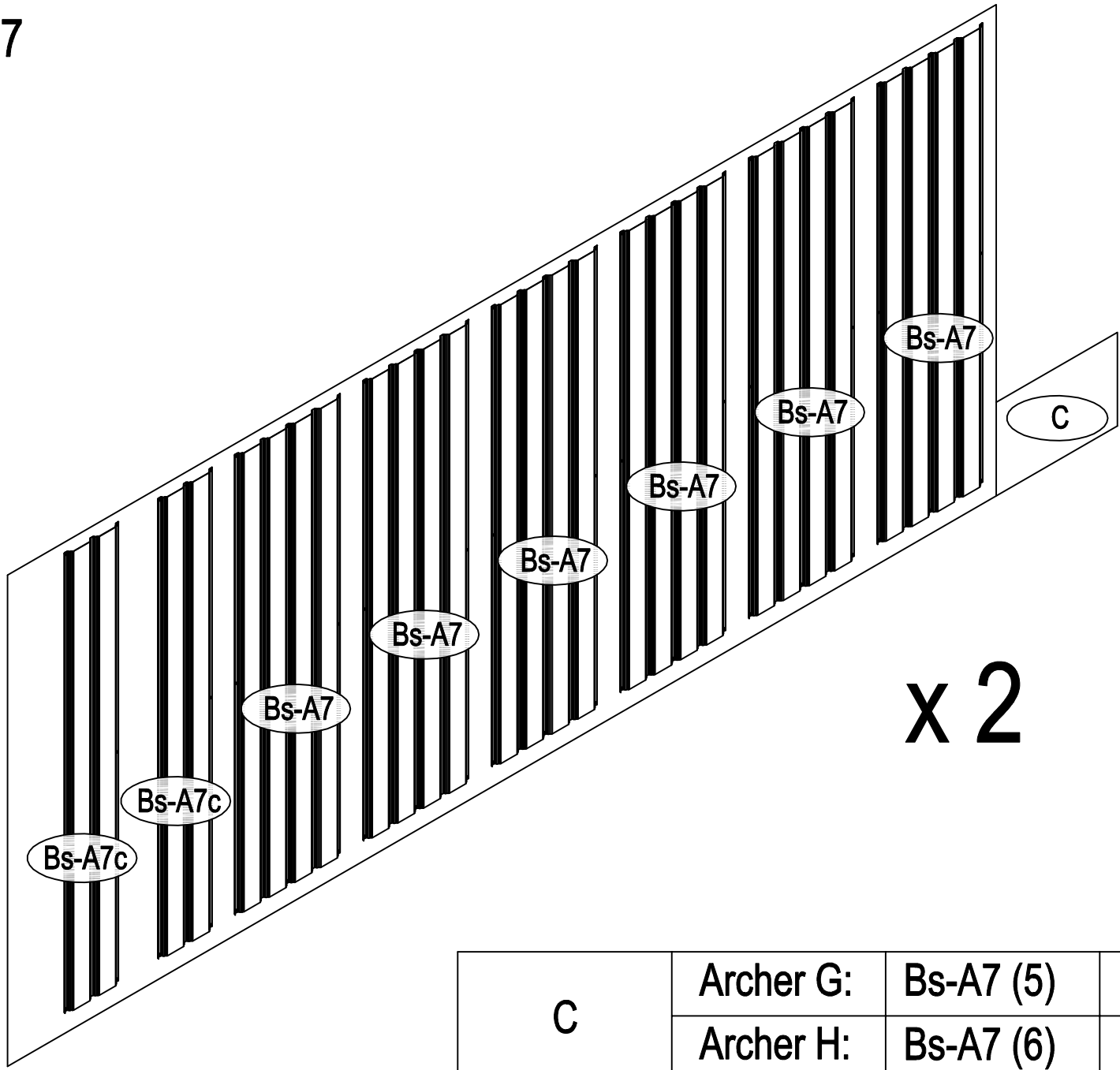
16





Archer F:	Bs-A7 (8)	~~~~~
-----------	-----------	-------

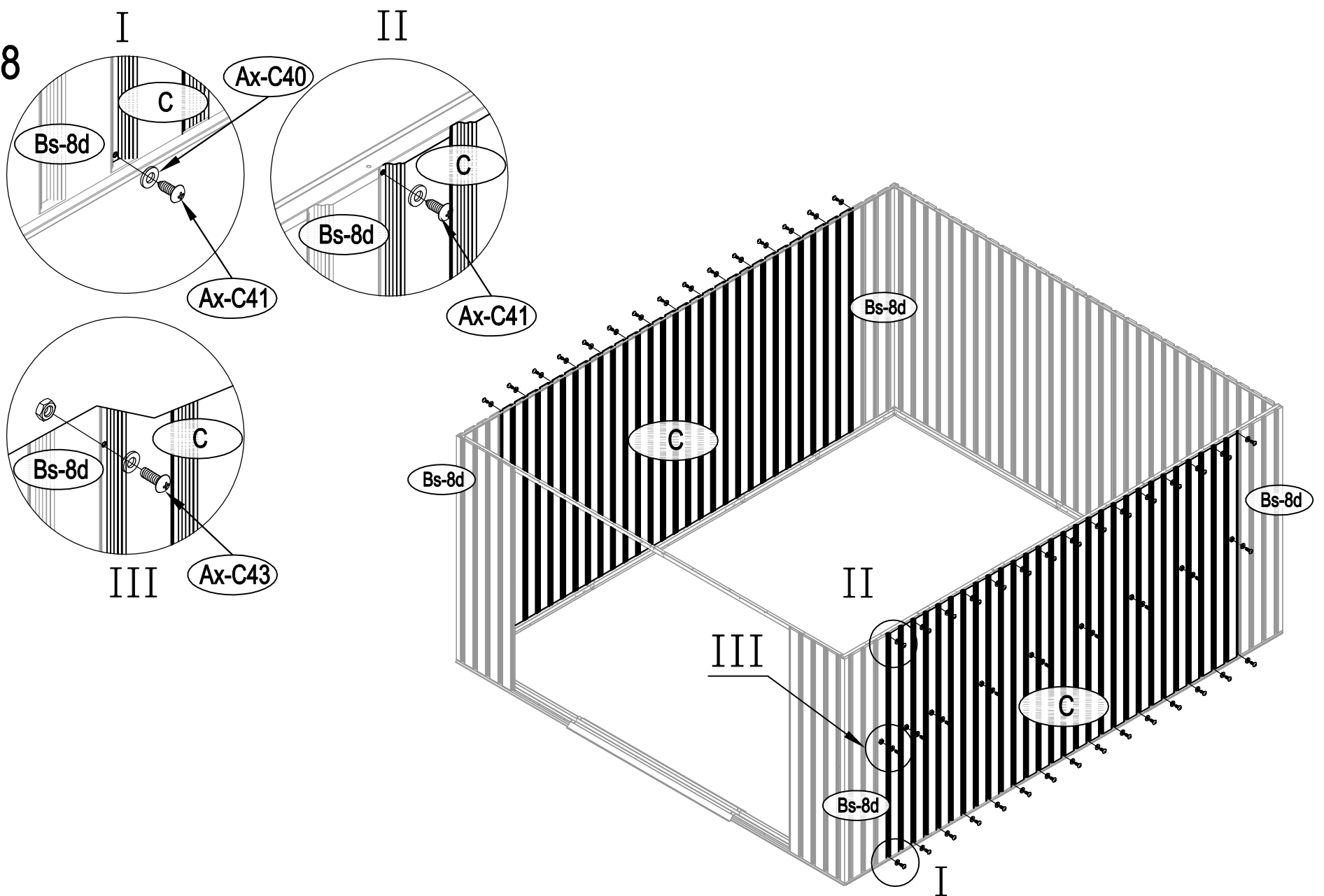


17

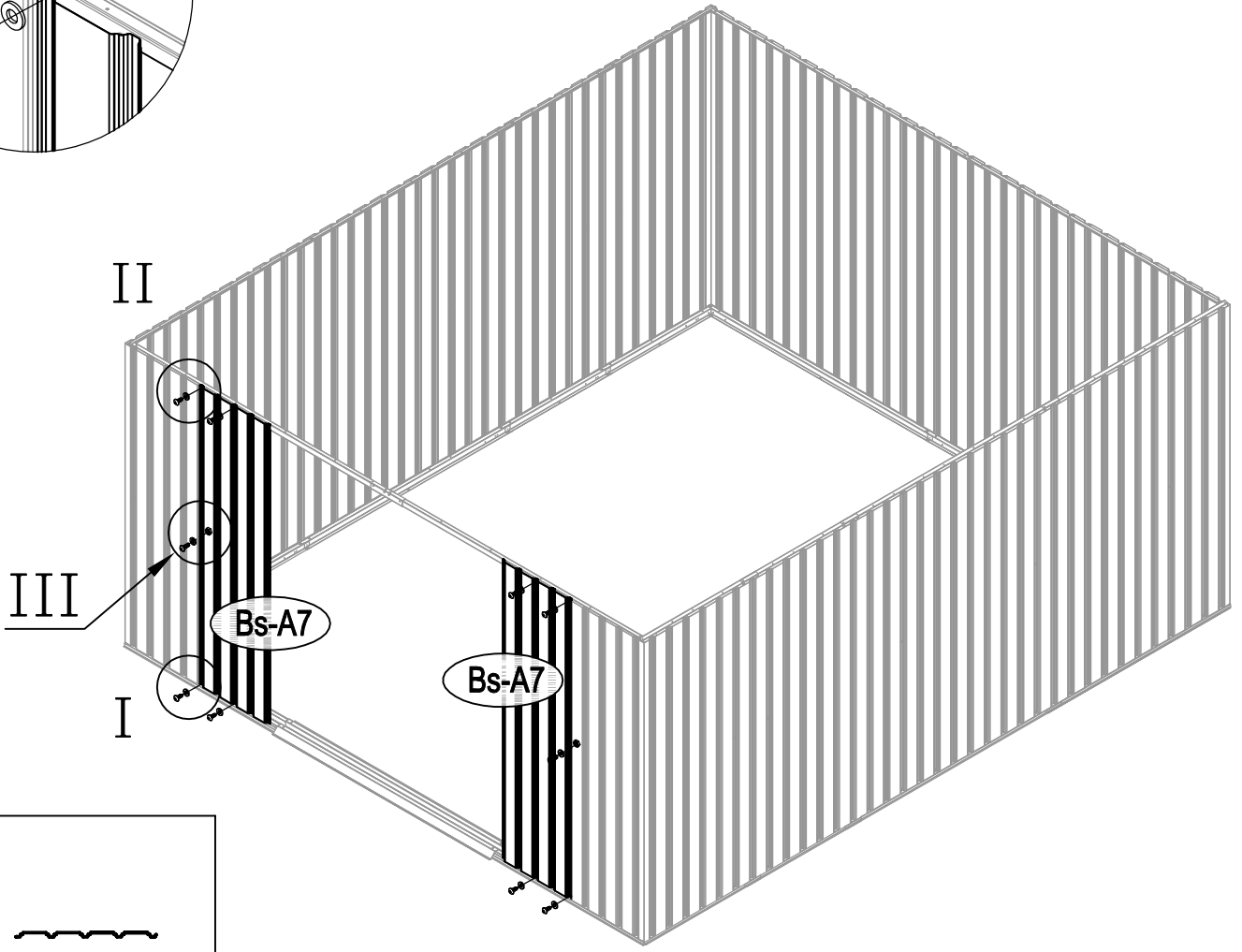
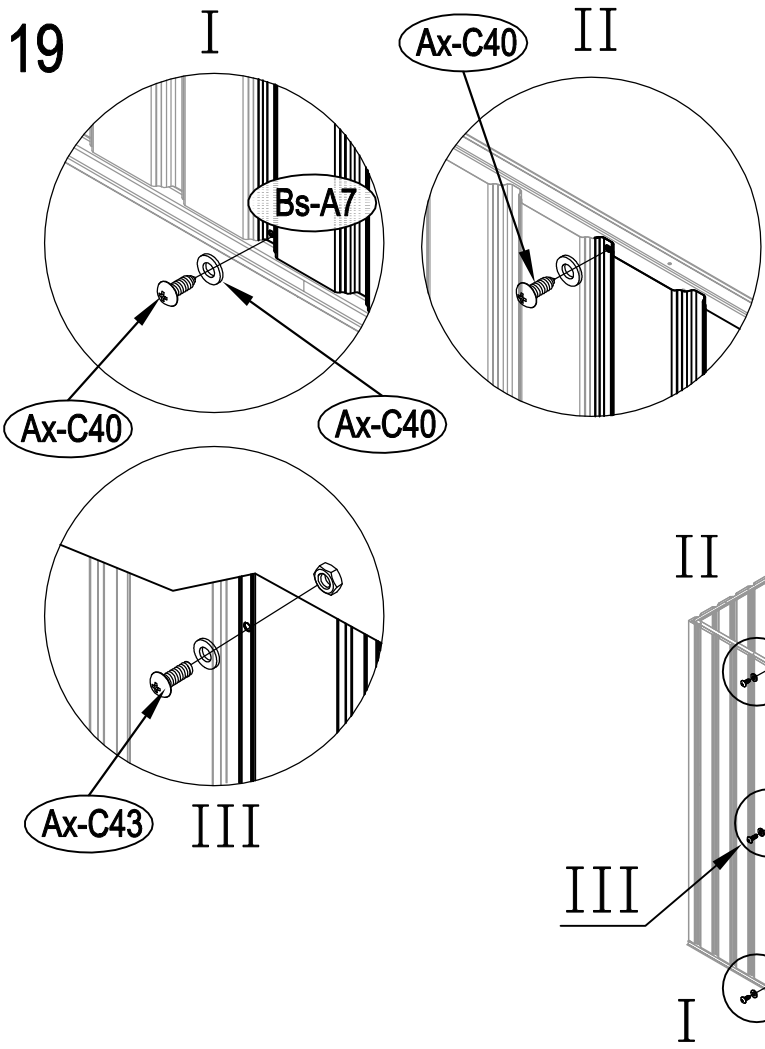


C	Archer G:	Bs-A7 (5)	Bs-A7c (1)	
	Archer H:	Bs-A7 (6)	Bs-A7c (2)	

18

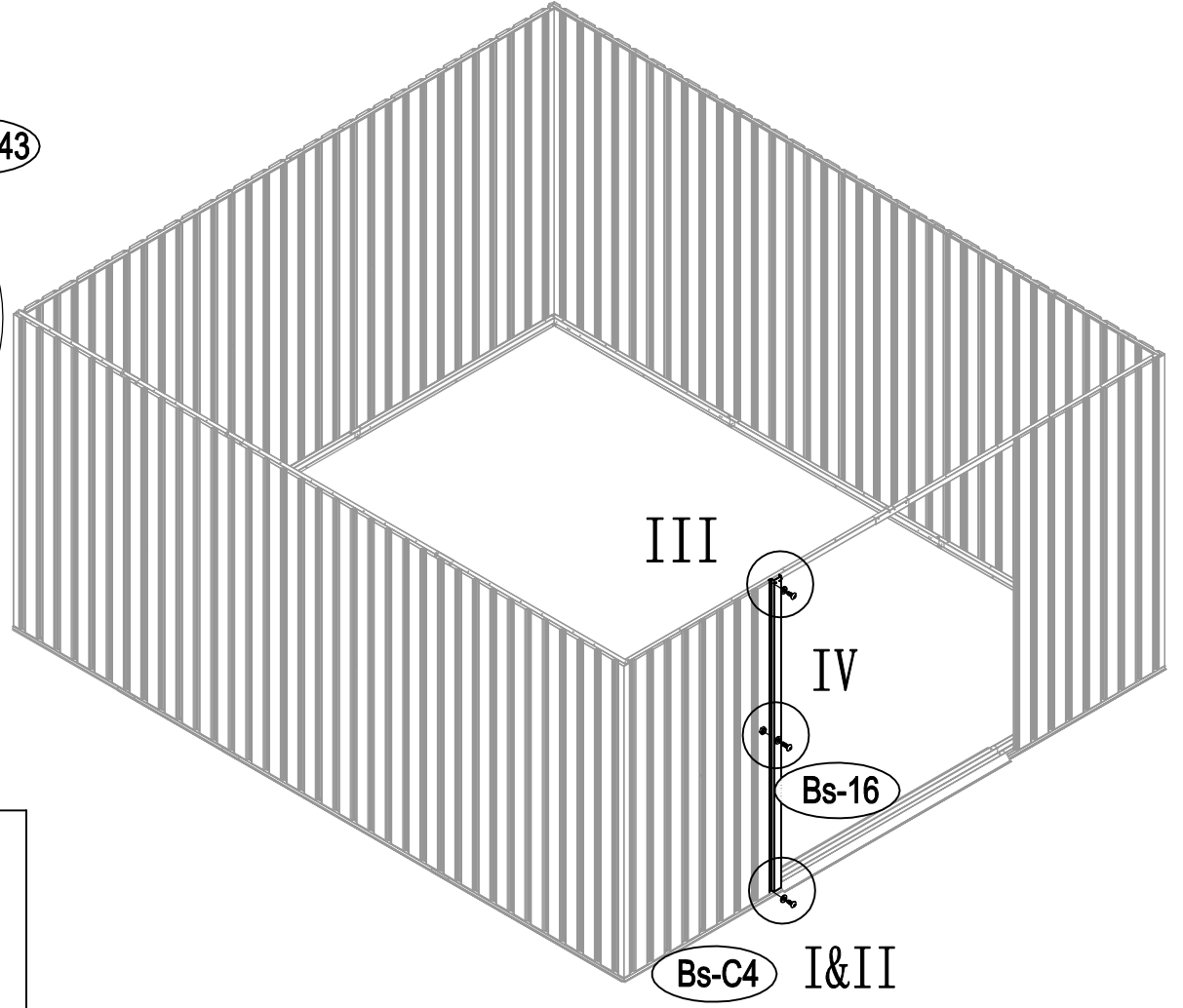
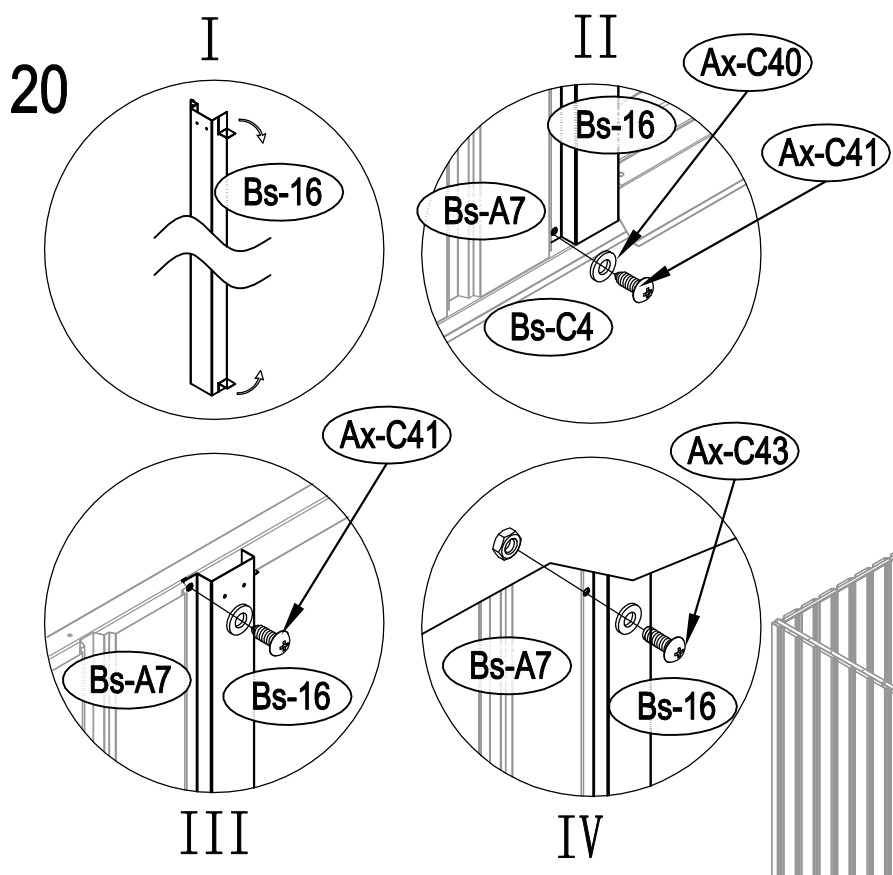


19



Archer F:		
Archer G:	Bs-A7 (2)	
Archer H:		

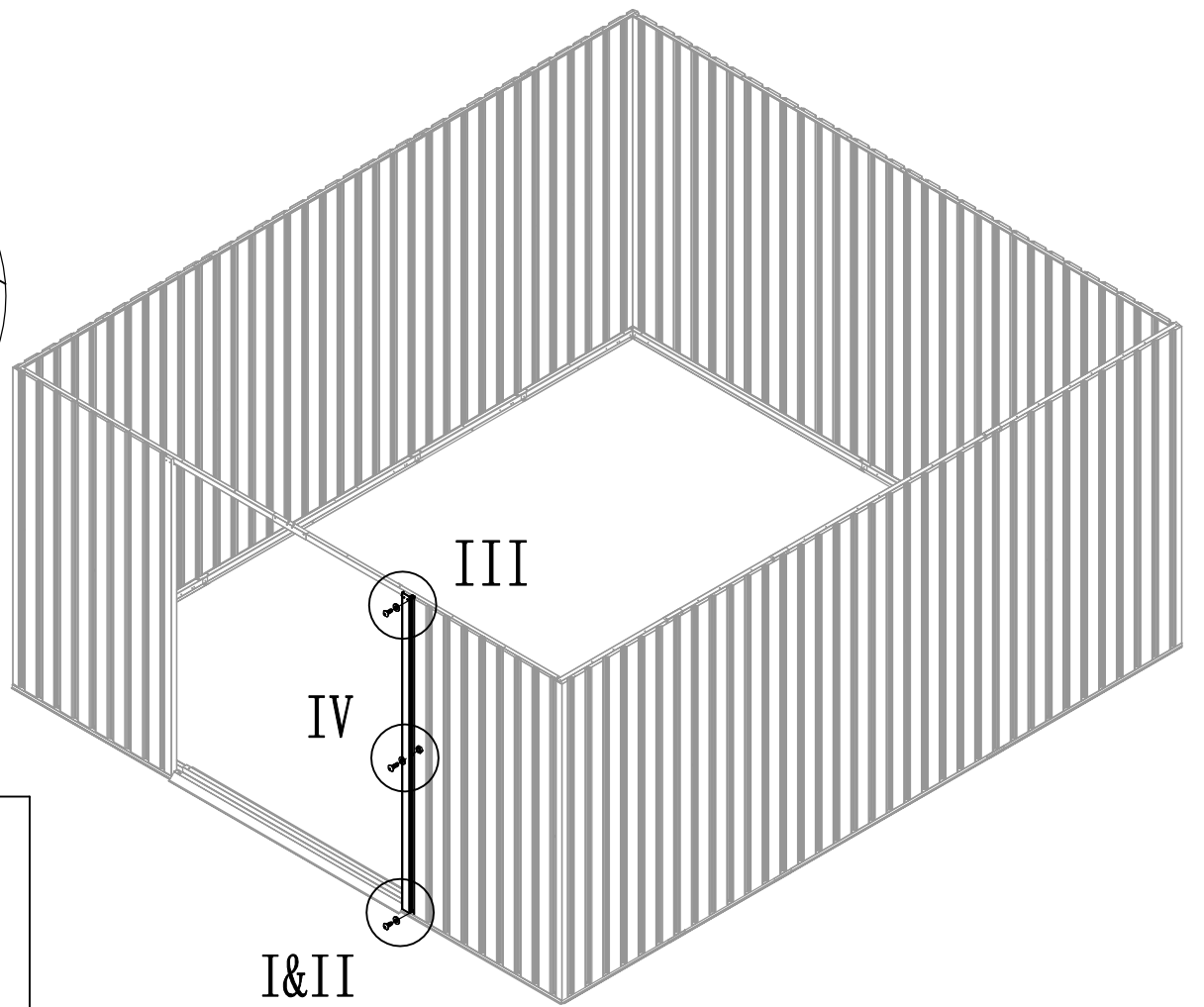
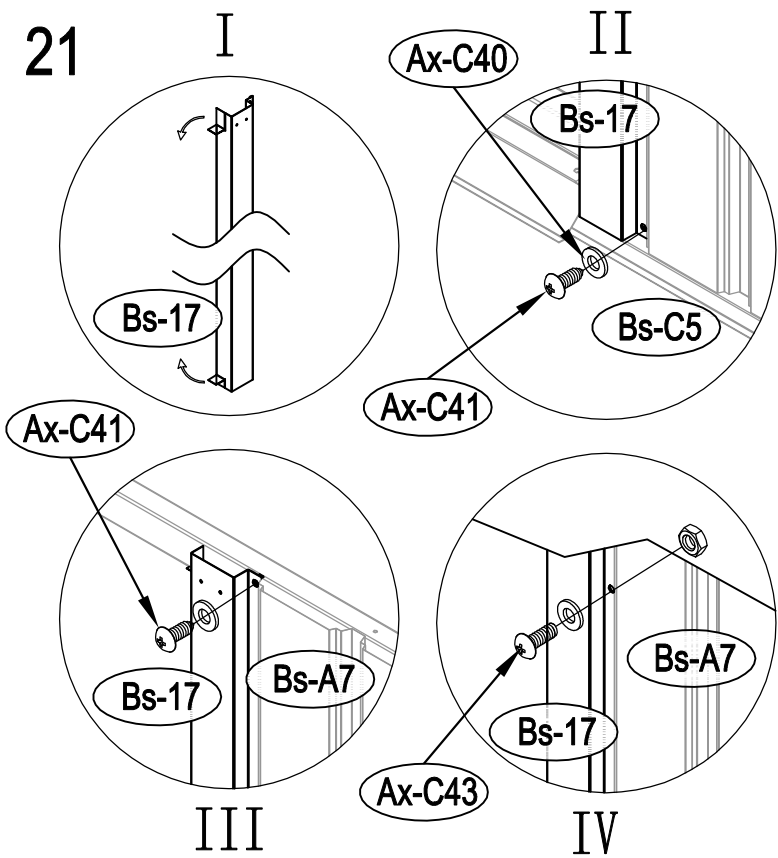
20



Archer F:		
Archer G:	Bs-16 (1)	
Archer H:		

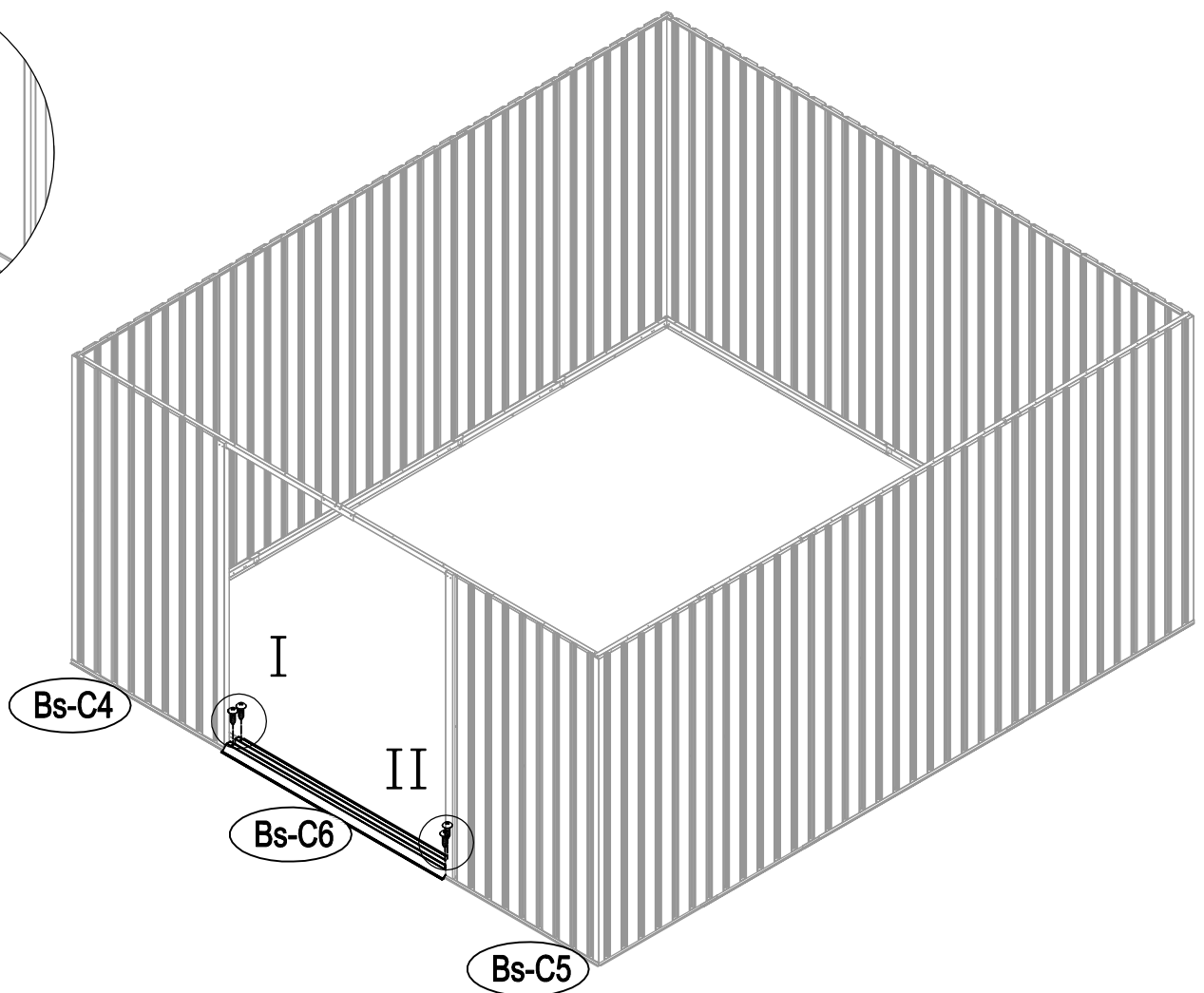
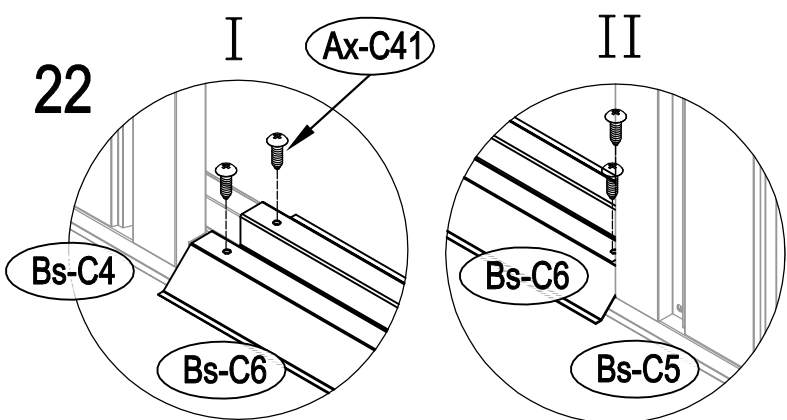


21

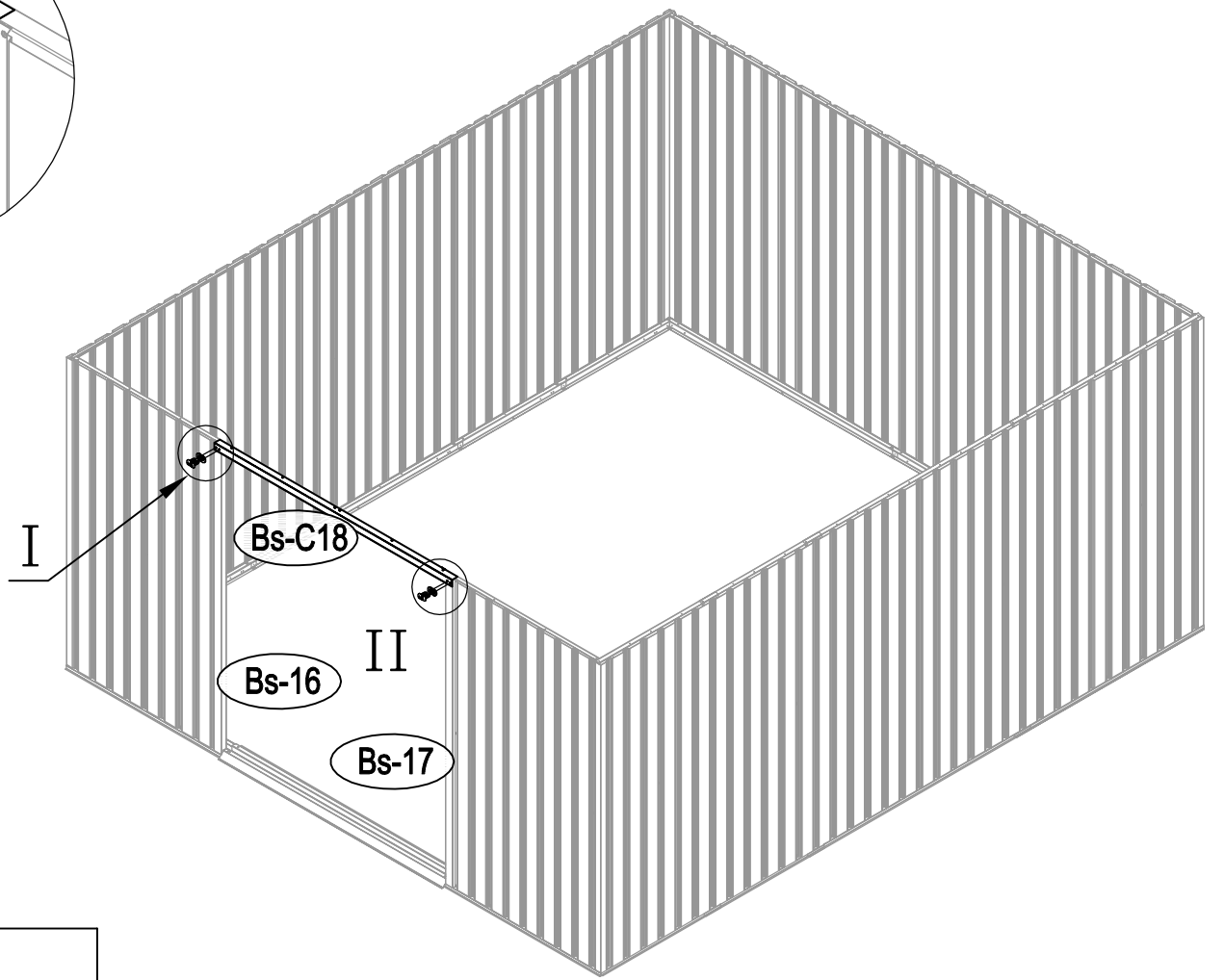
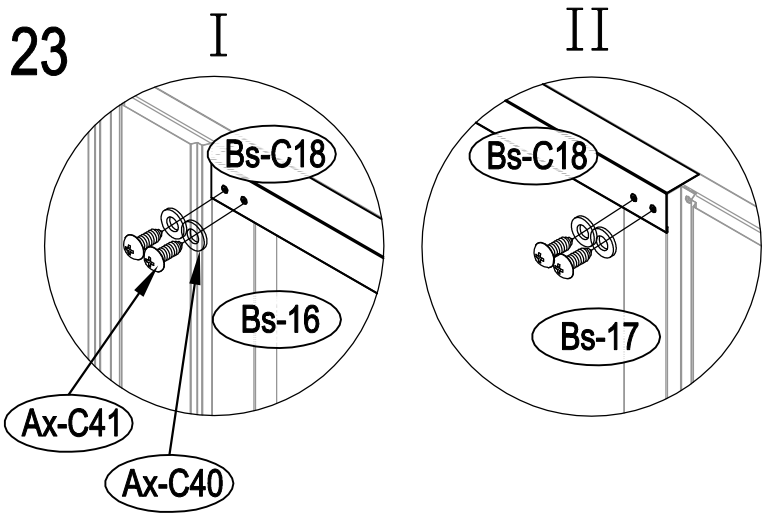


Archer F:		
Archer G:	Bs-17 (1)	⌋
Archer H:		

22

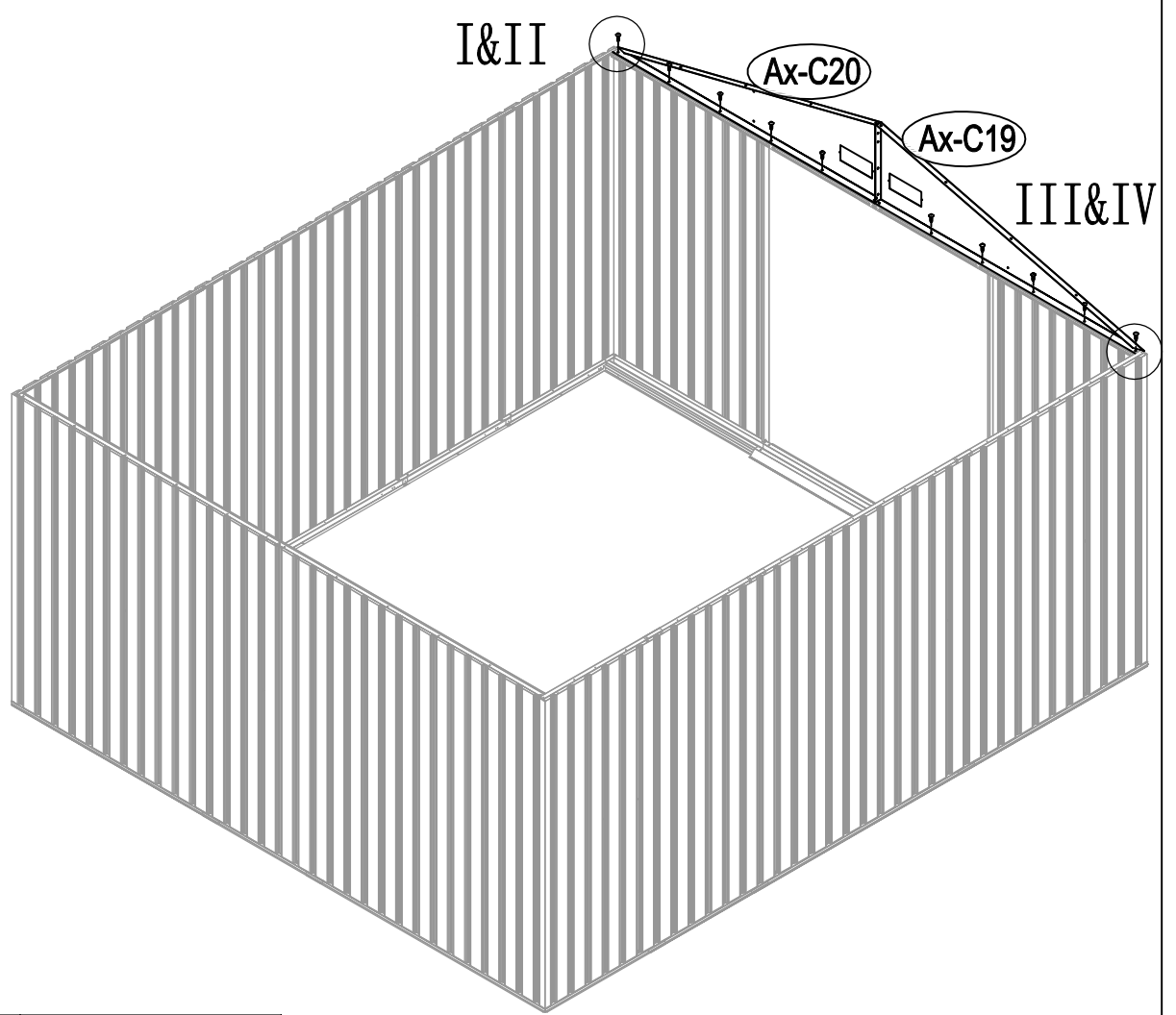
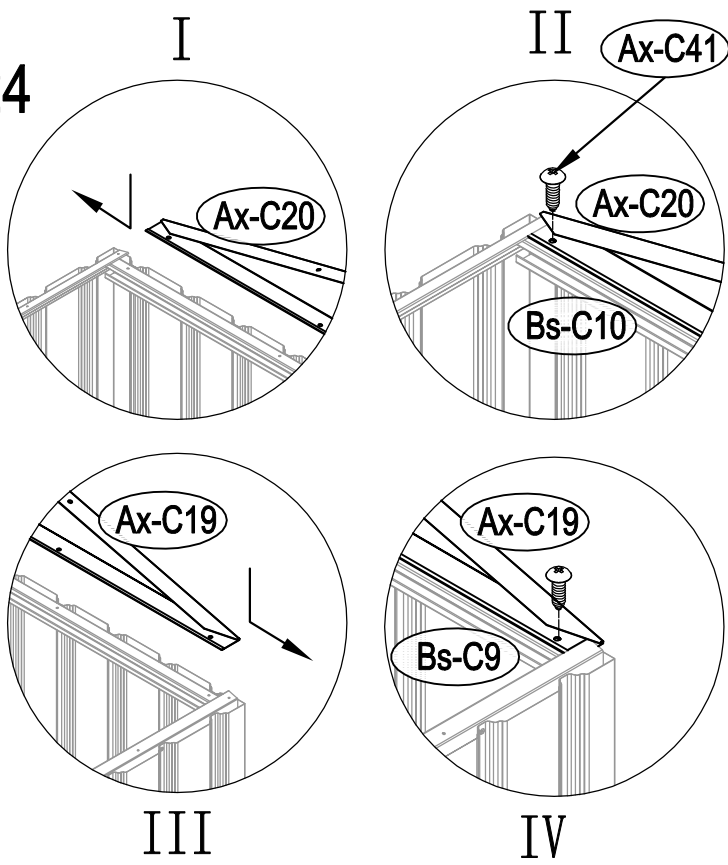


23



Archer F:		
Archer G:	Bs-C18 (1)	└
Archer H:		

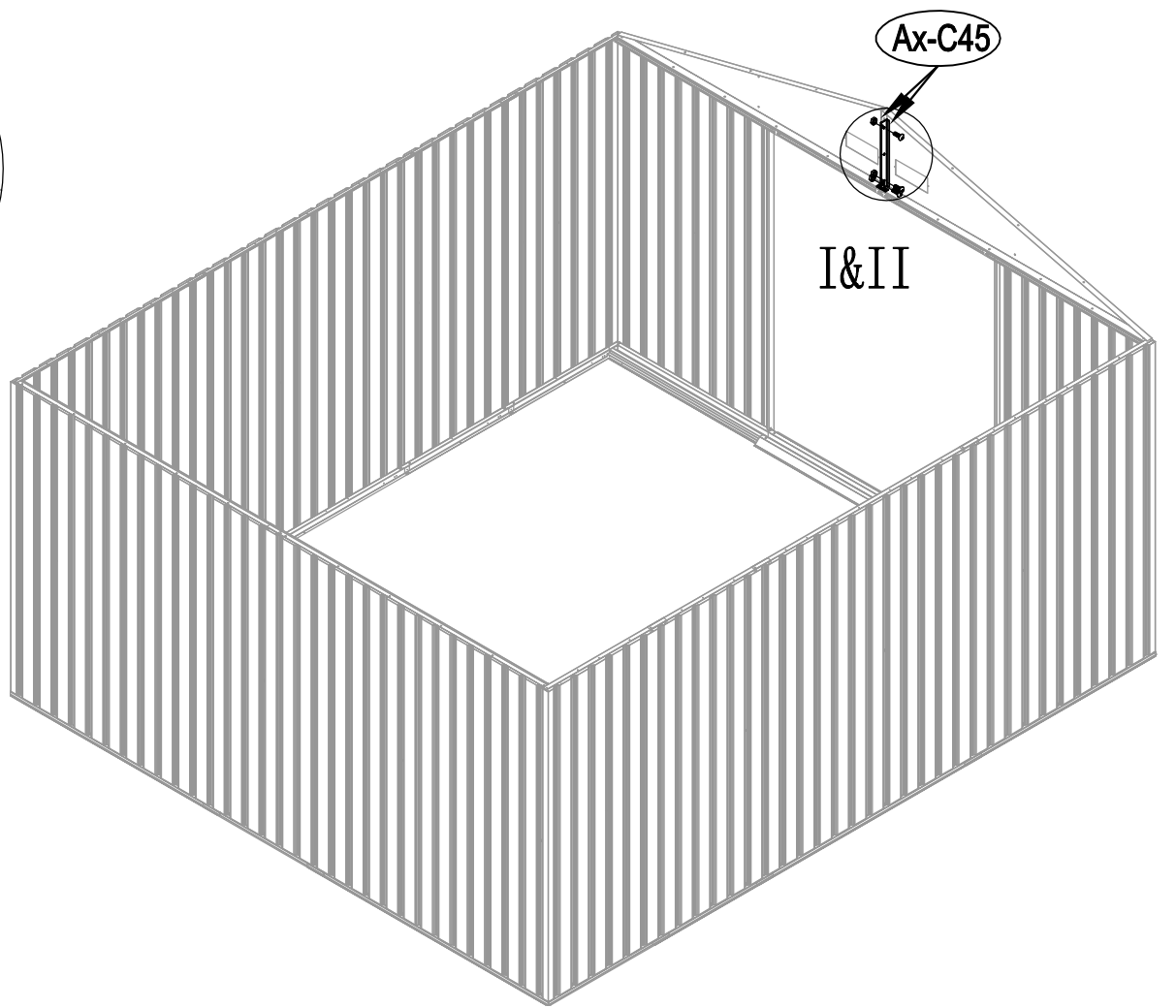
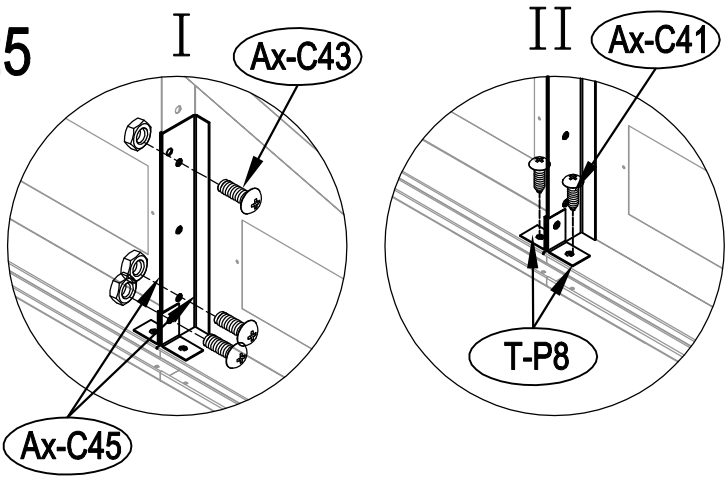
24



Archer F:			
Archer G:	Ax-C19 (1)	Ax-C20 (1)	▬
Archer H:			

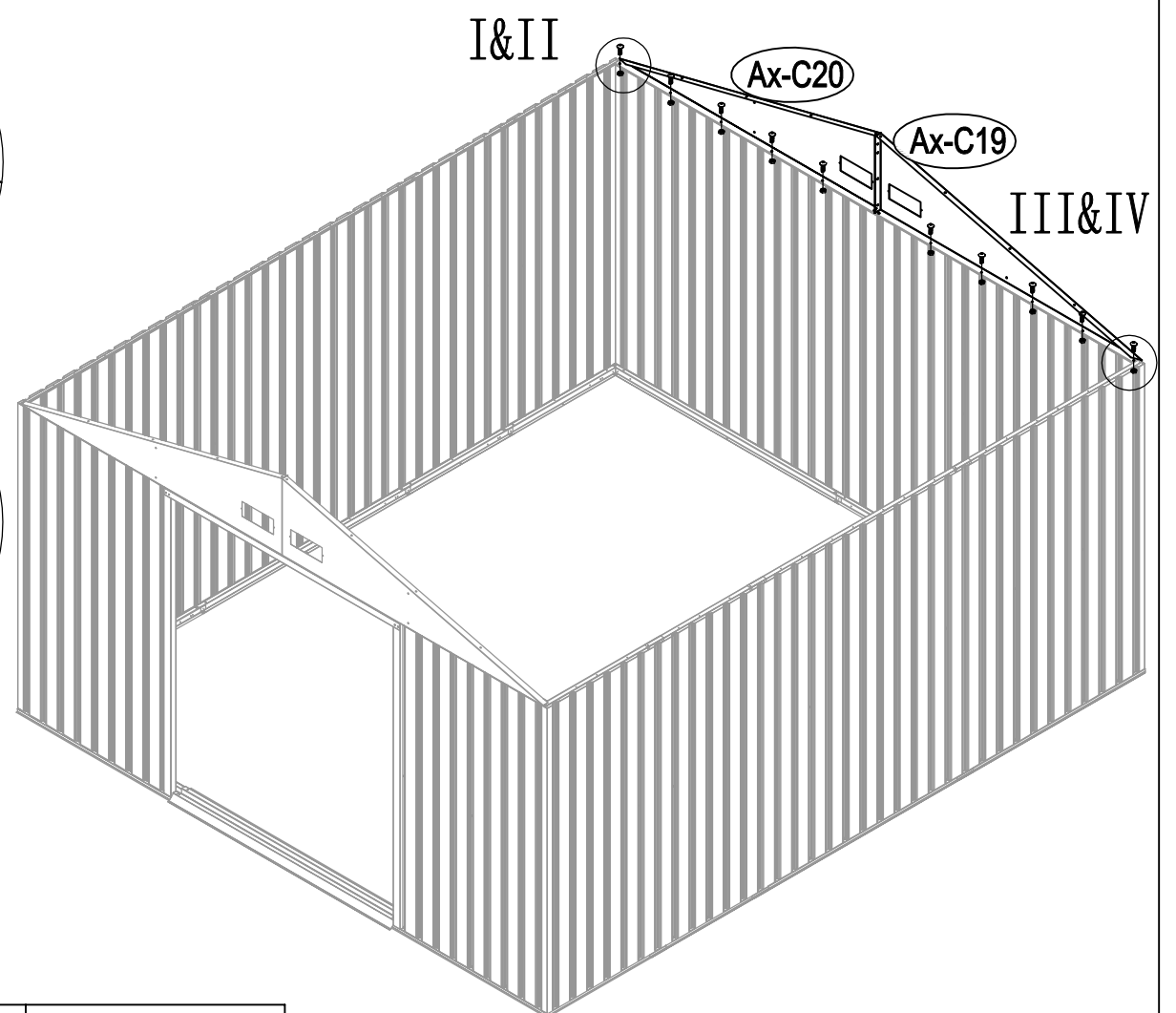
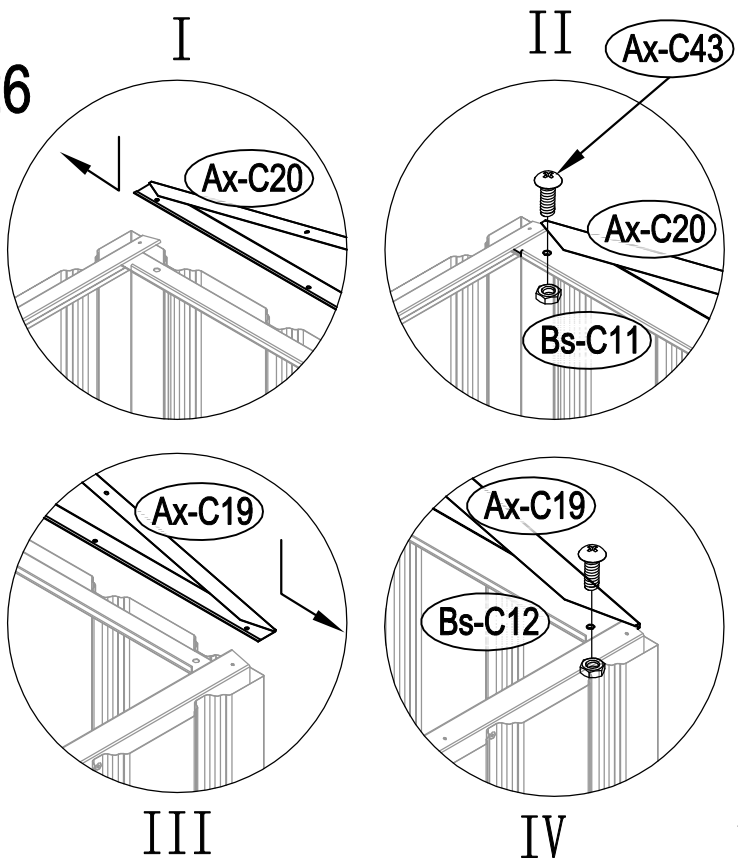


25



Archer F:			
Archer G:	Ax-C45 (2)	T-P8 (2)	
Archer H:			

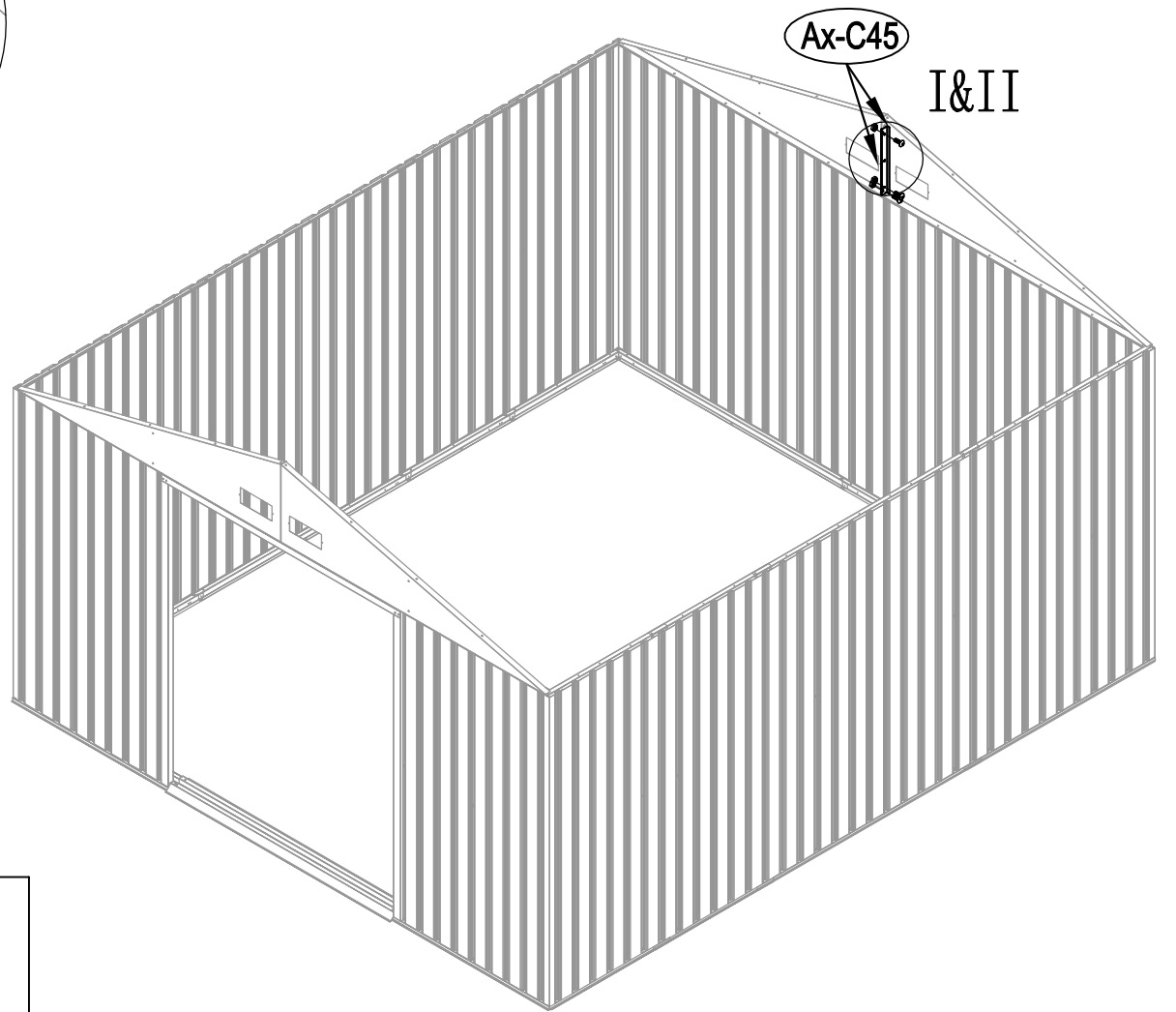
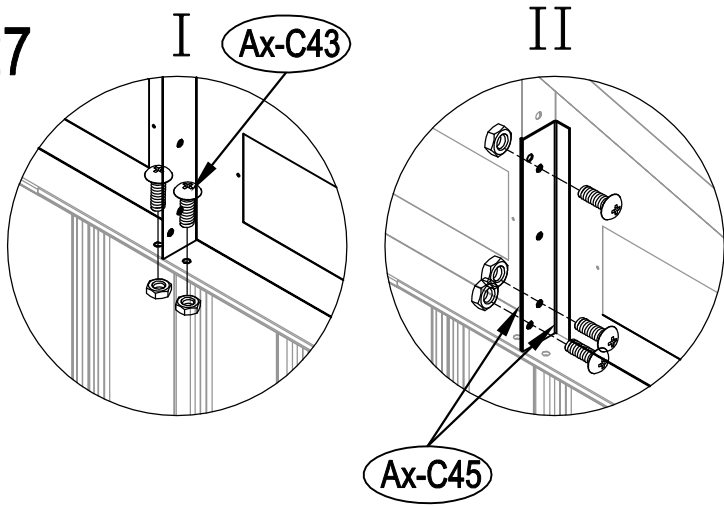
26




Archer F:			
Archer G:	Ax-C19 (1)	Ax-C20 (1)	
Archer H:			

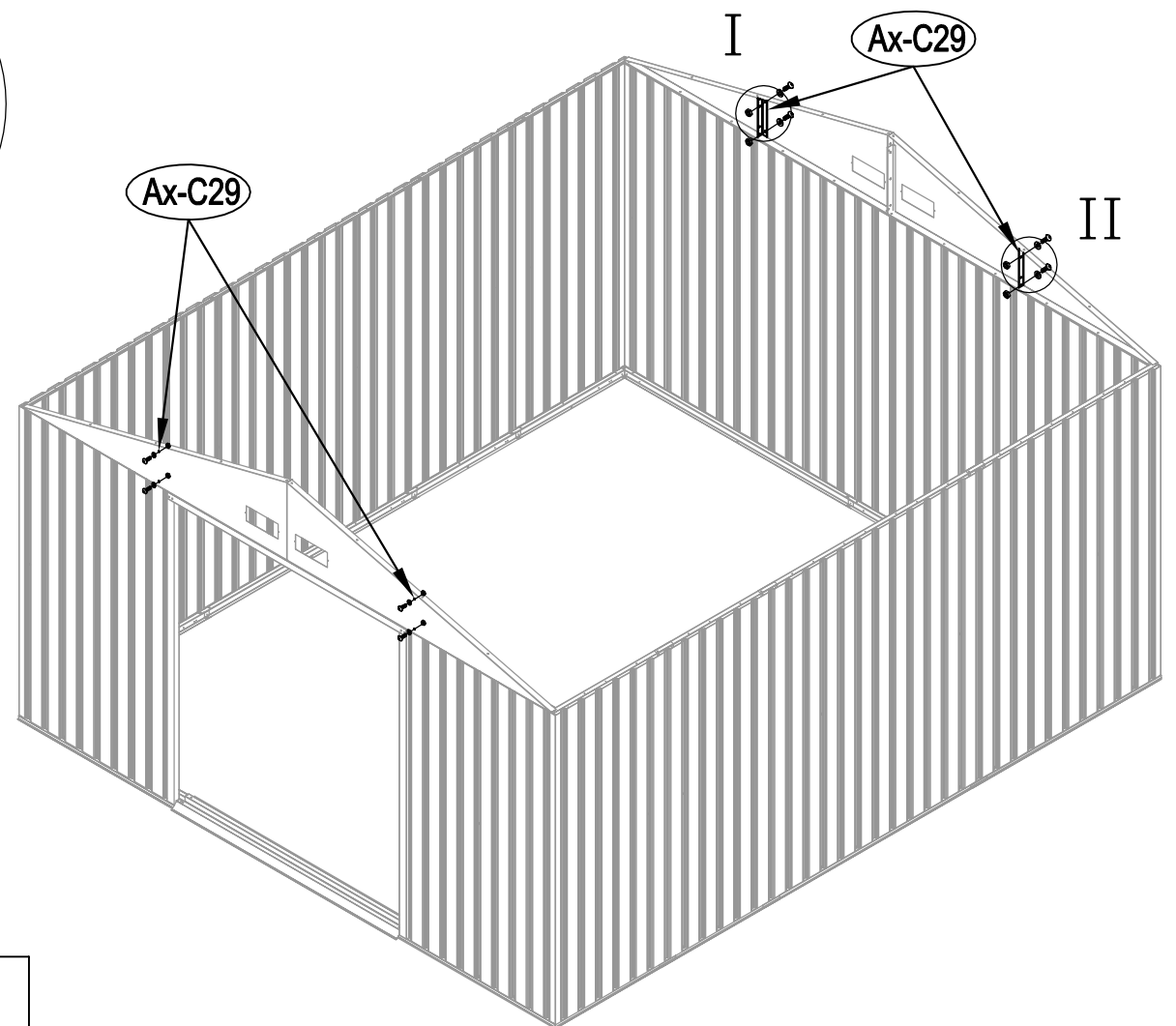
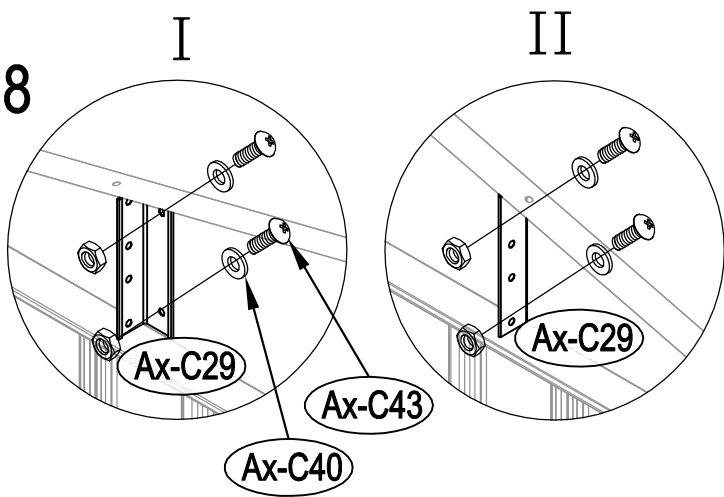


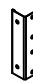
27



Archer F:		
Archer G:	Ax-C45 (2)	
Archer H:		

28



Archer F:		
Archer G:	Ax-C29 (4)	
Archer H:		

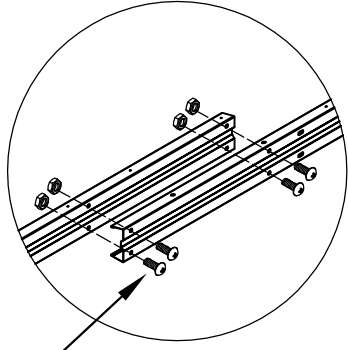
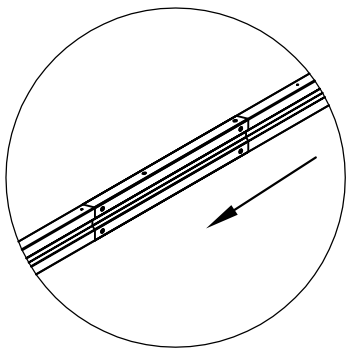
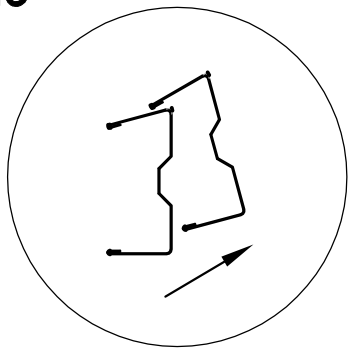




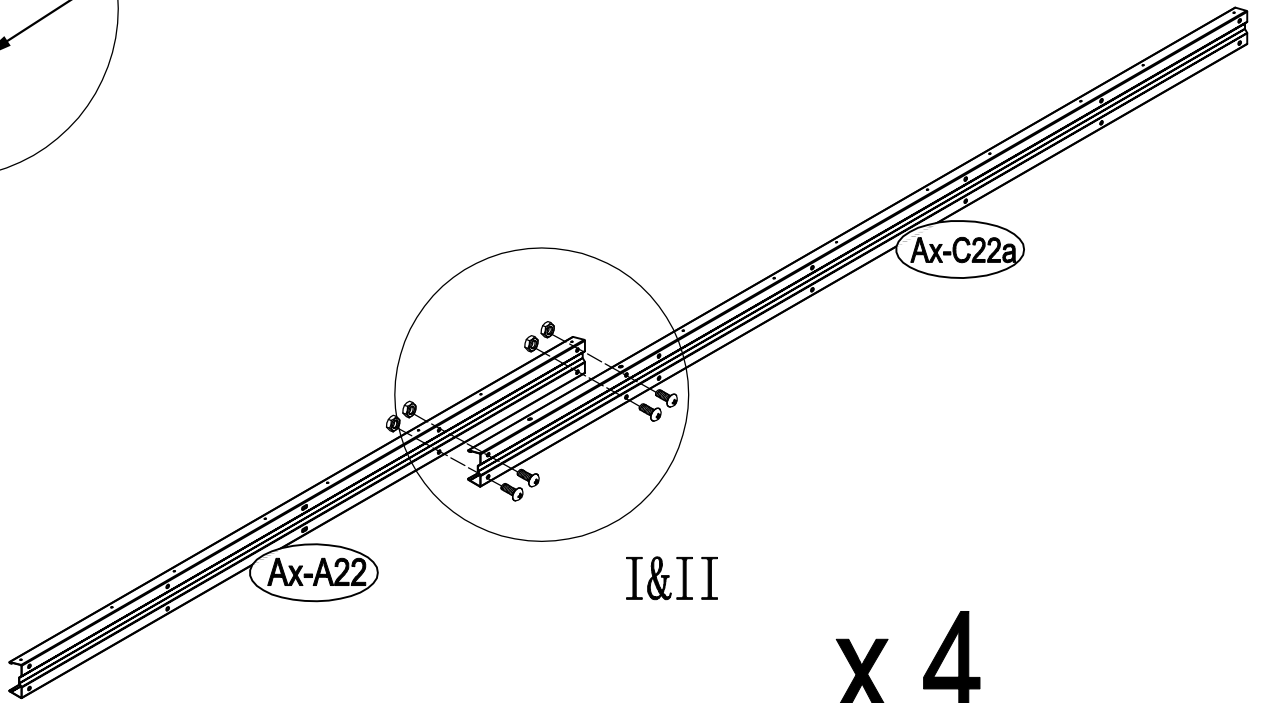
29

I

II



Ax-C43 III



x 4

Archer F:

Ax-A22 (1)

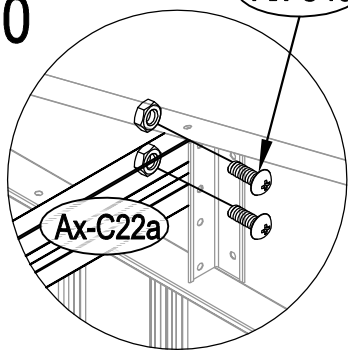
Ax-C22a (1)

3

30

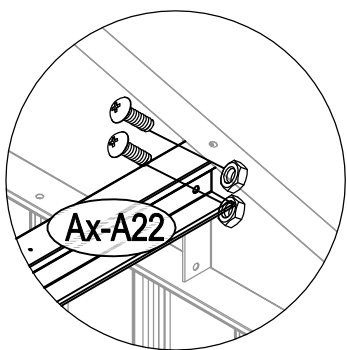
I

II

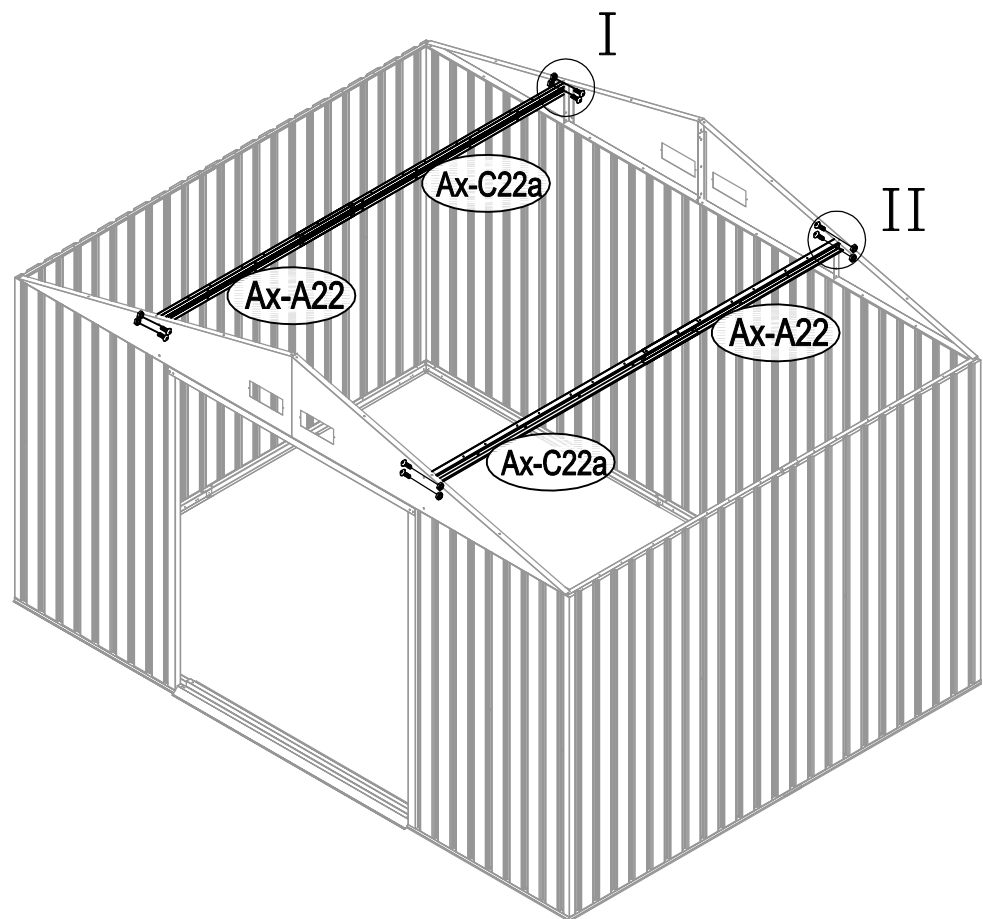


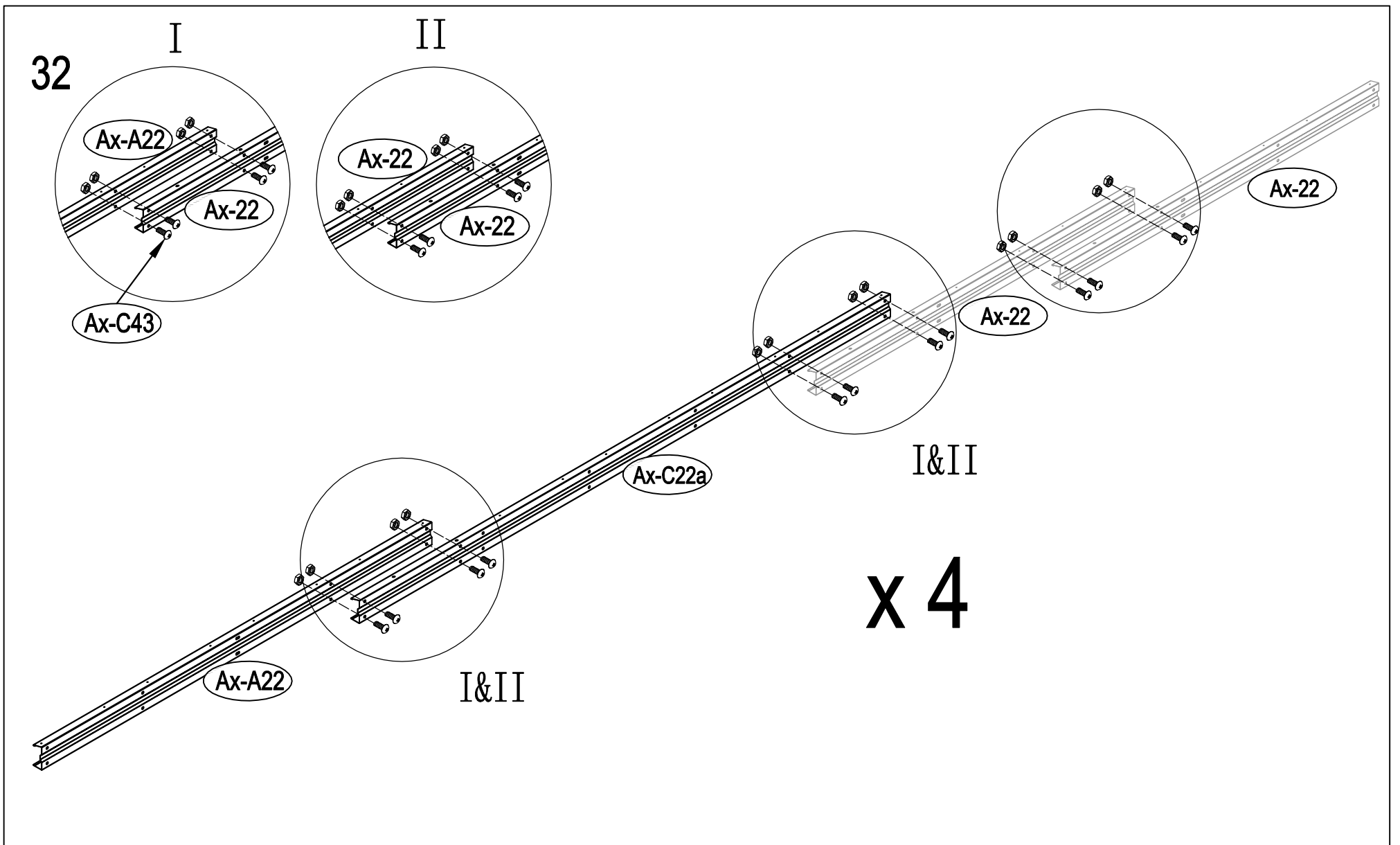
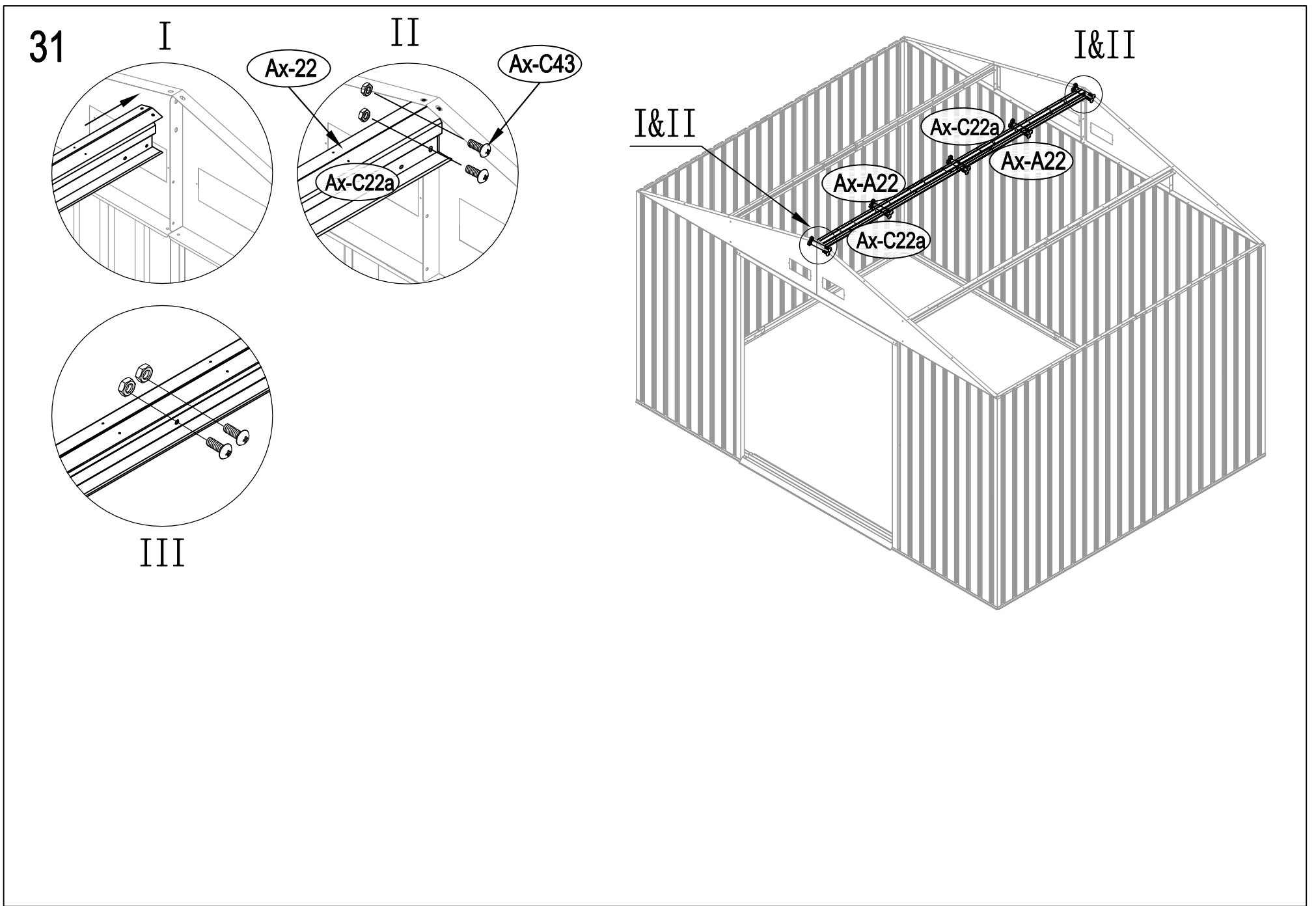
Ax-C43

Ax-C22a



Ax-A22

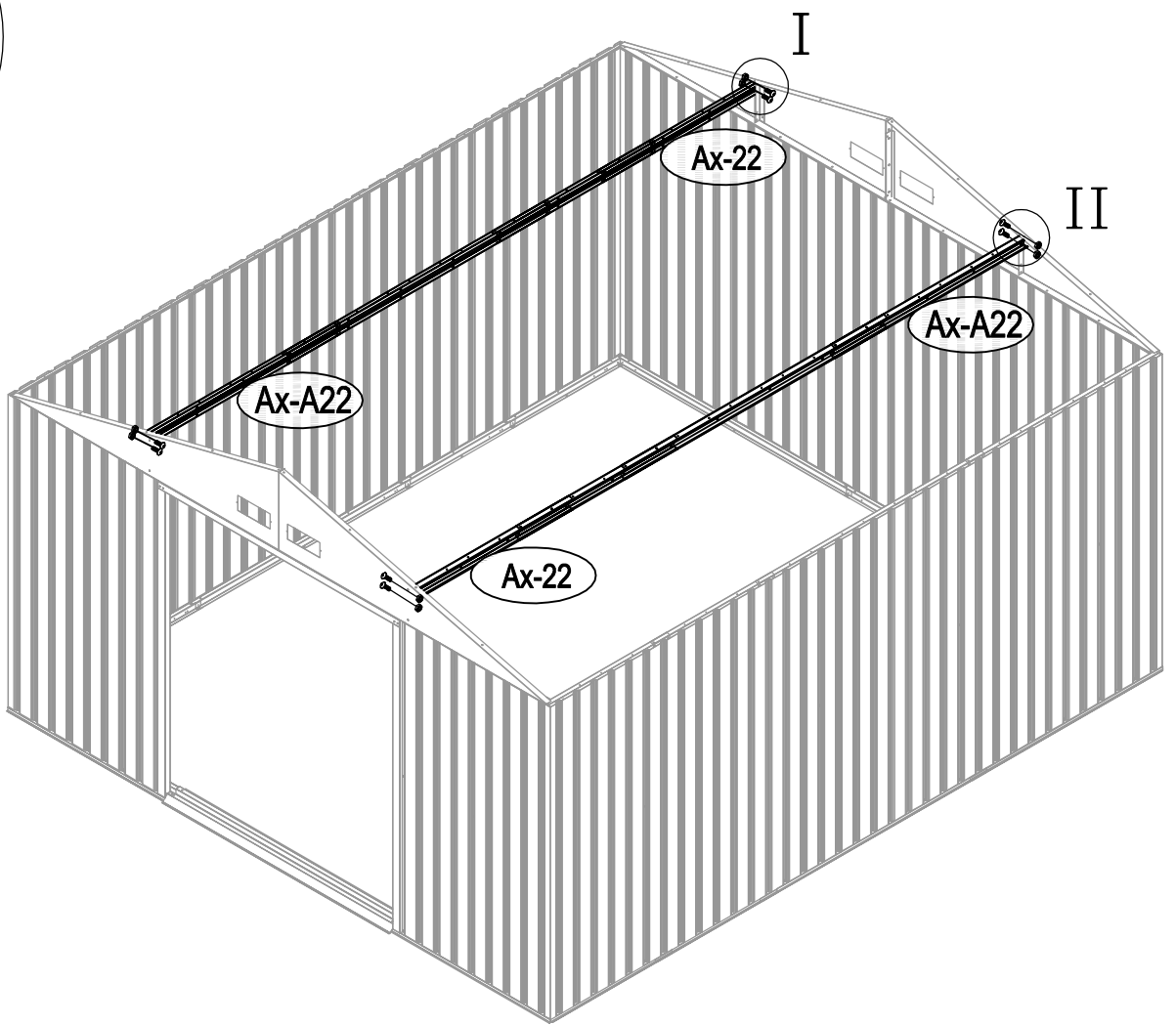
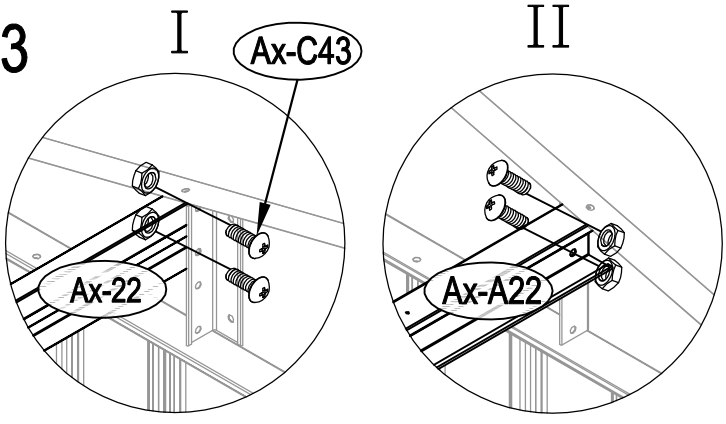




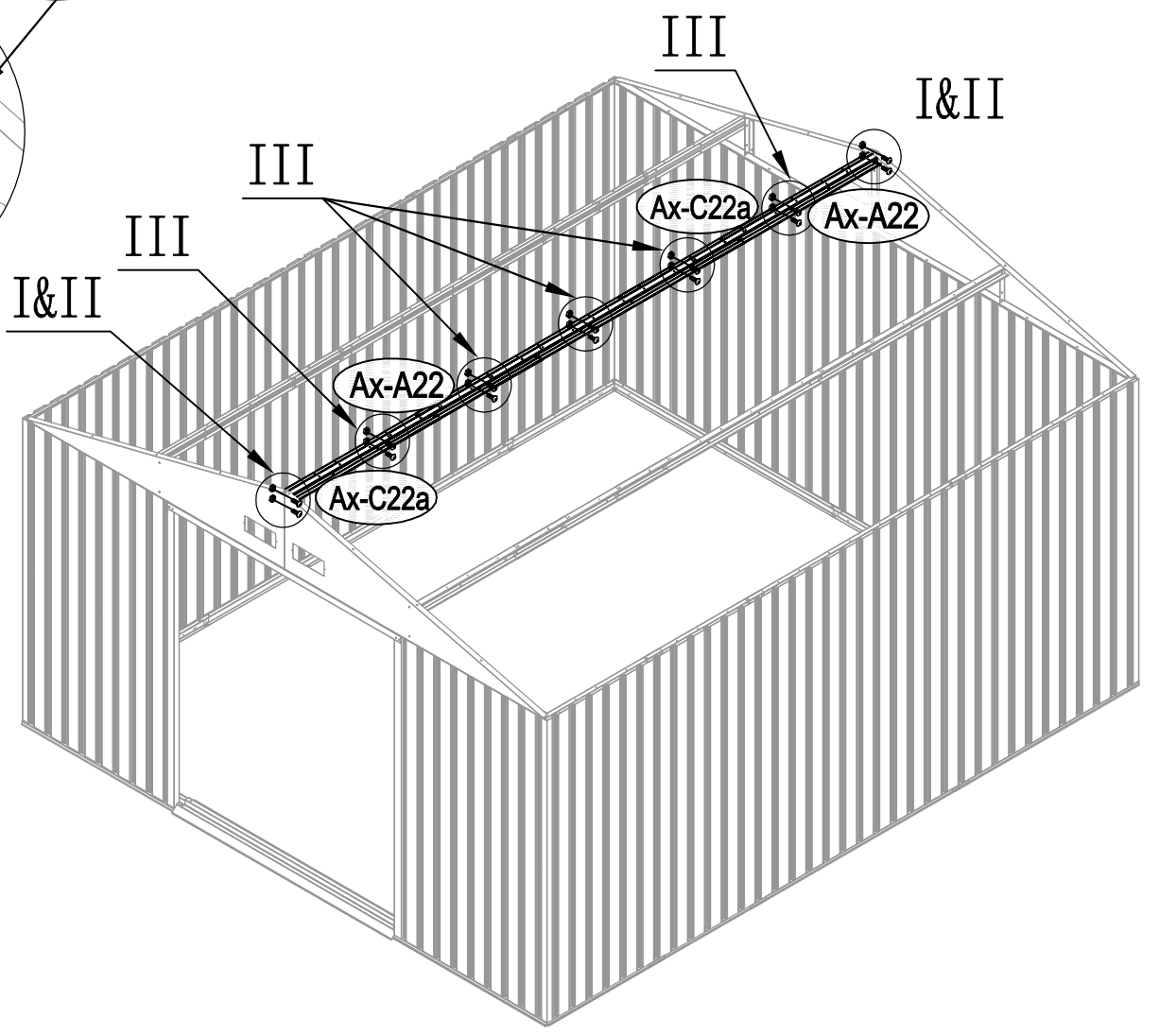
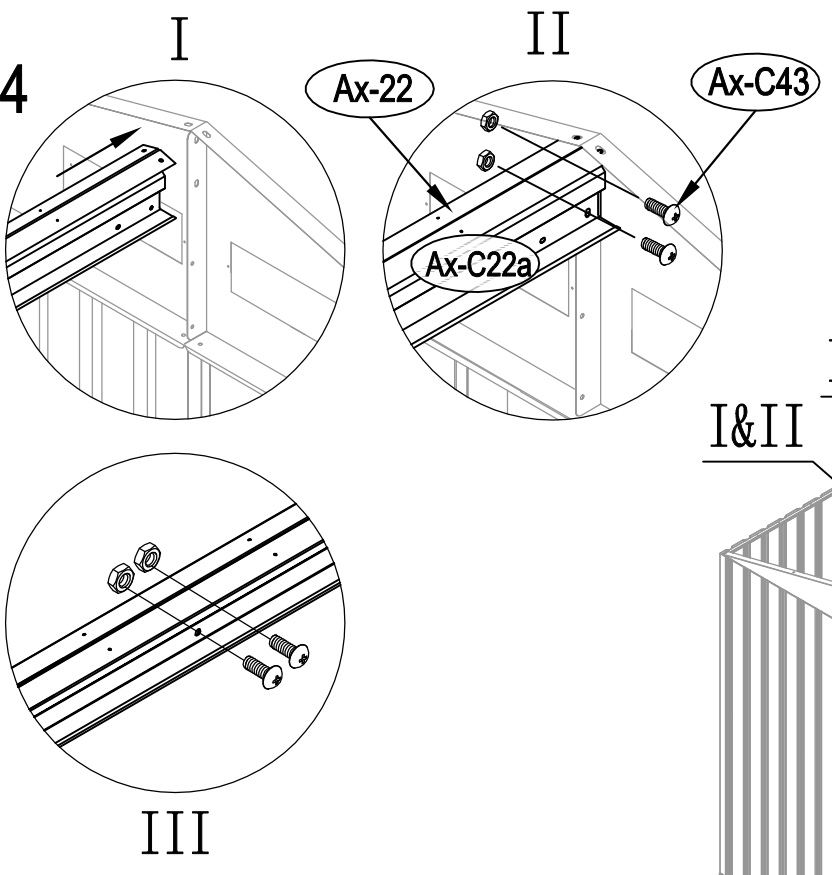
Archer G:	Ax-A22 (1)	Ax-C22a (1)	Ax-22 (1)	}
Archer H:			Ax-22 (2)	



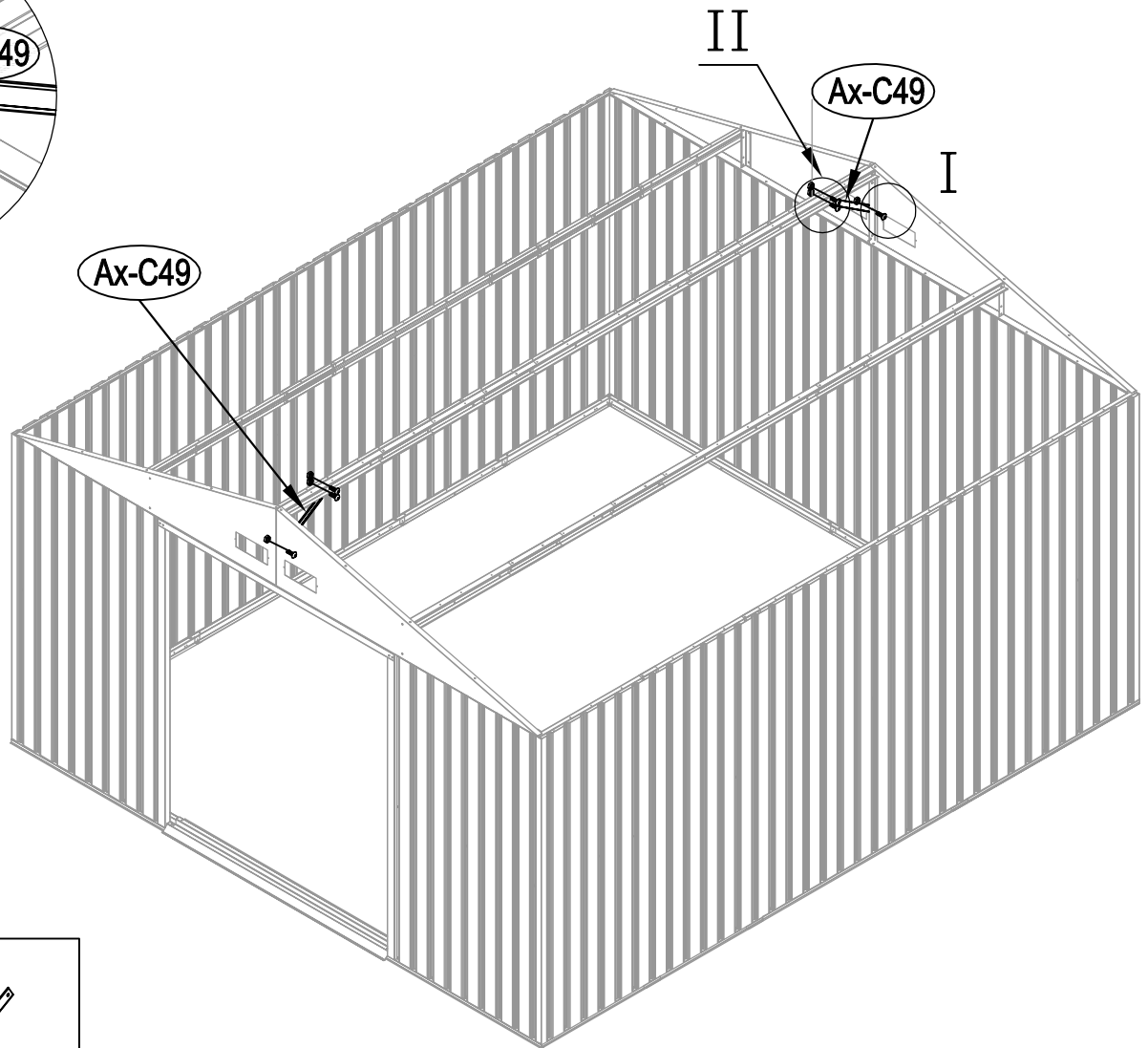
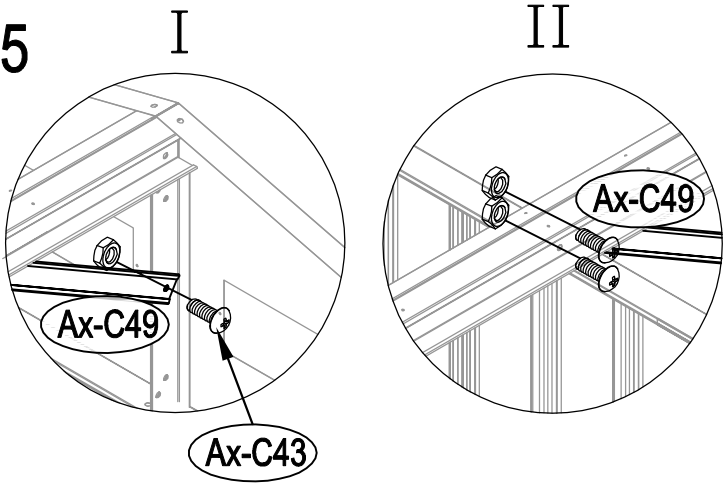
33

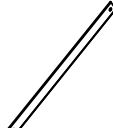


34

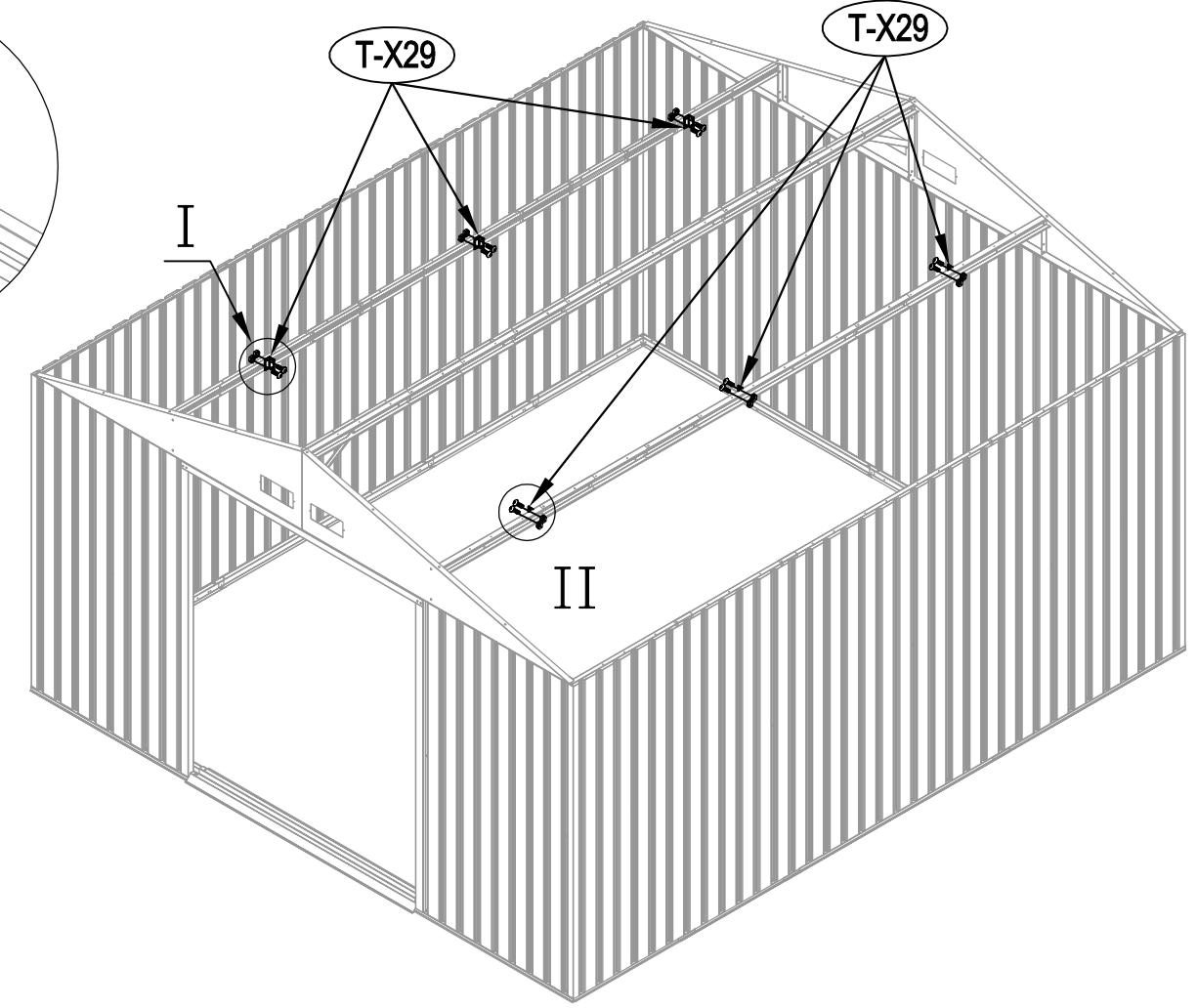
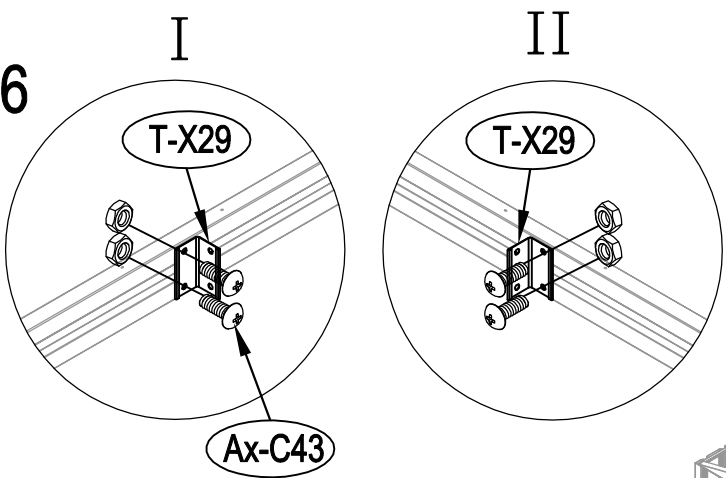



35



Archer F:		
Archer G:	Ax-C49 (2)	
Archer H:		

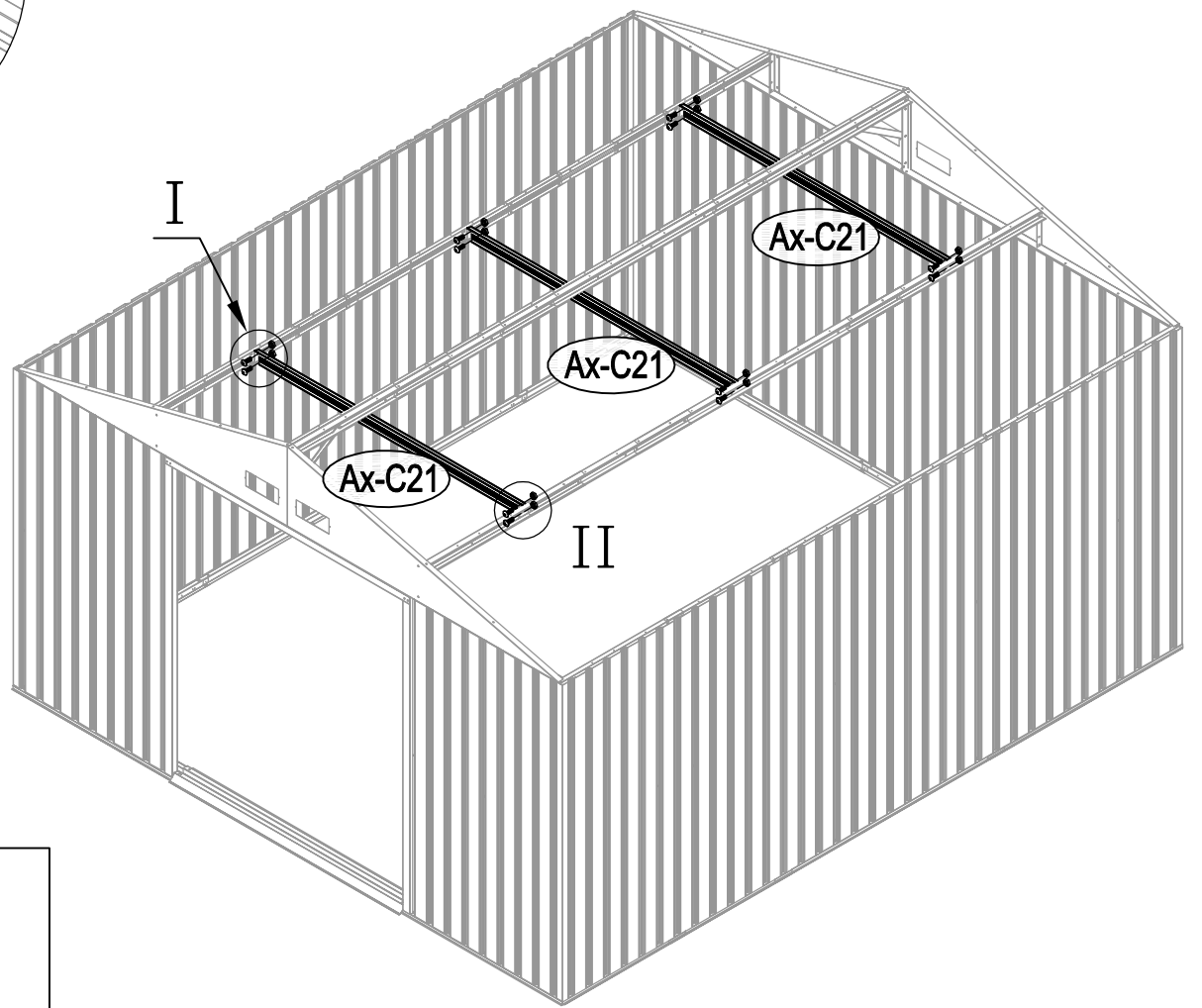
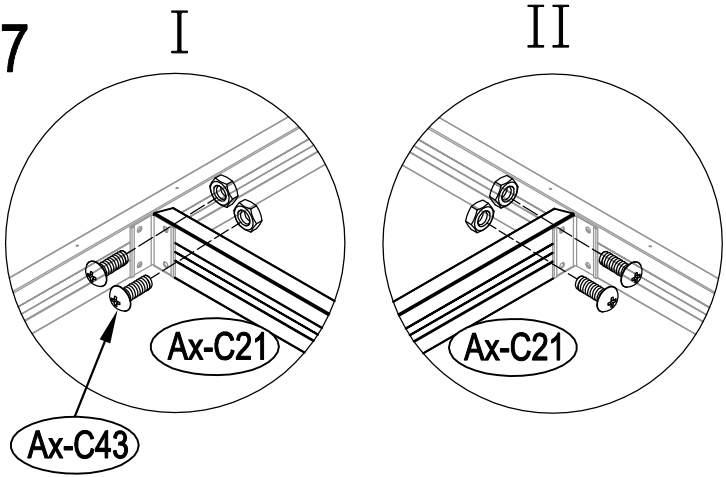
36



Archer F:		
Archer G:	T-X29 (6)	
Archer H:		

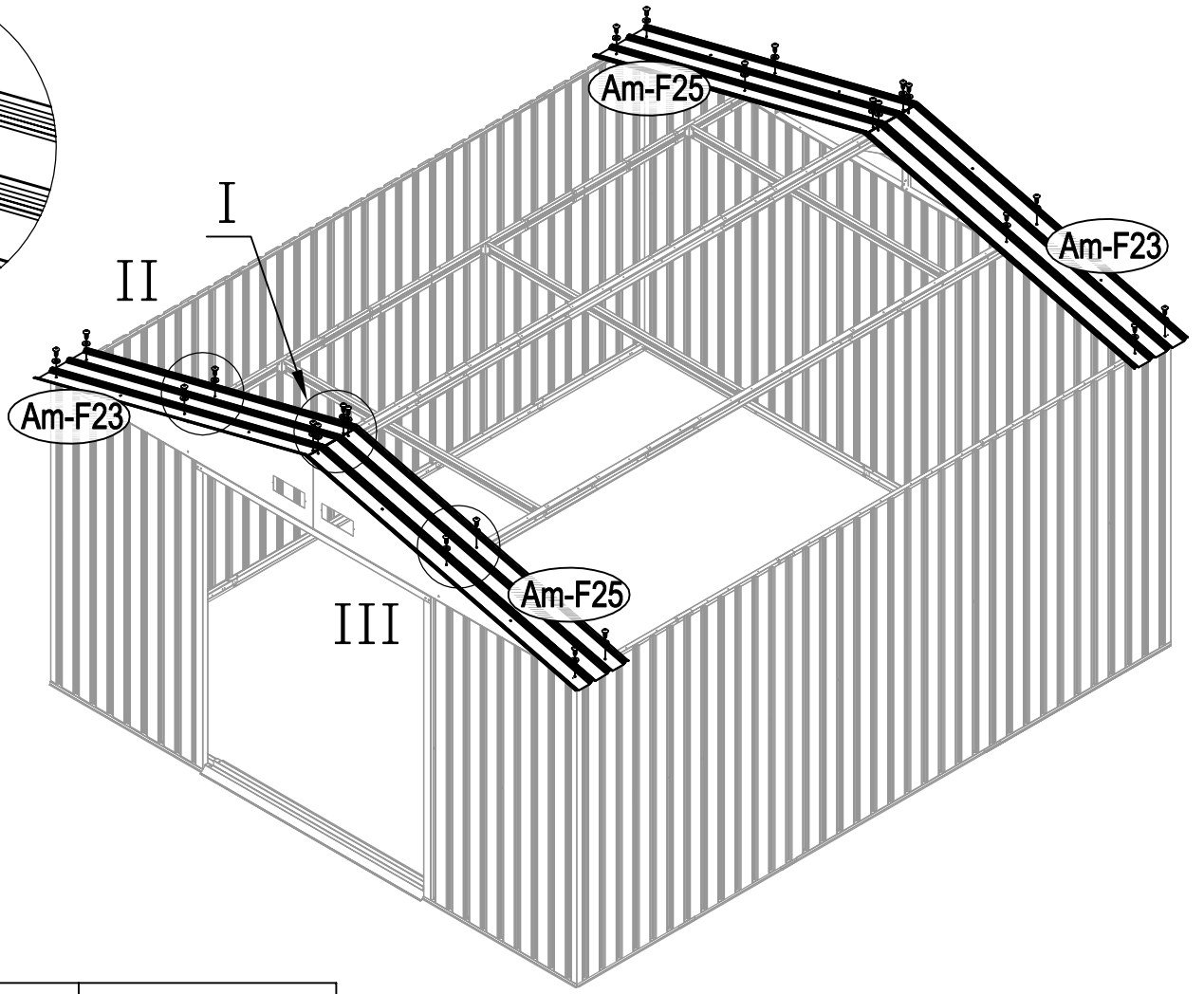
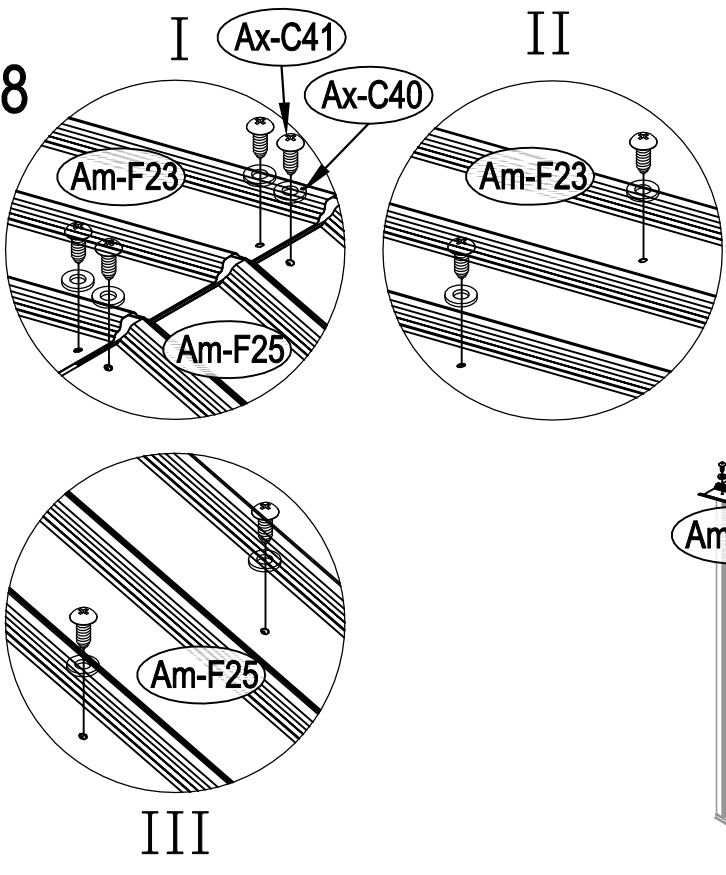


37



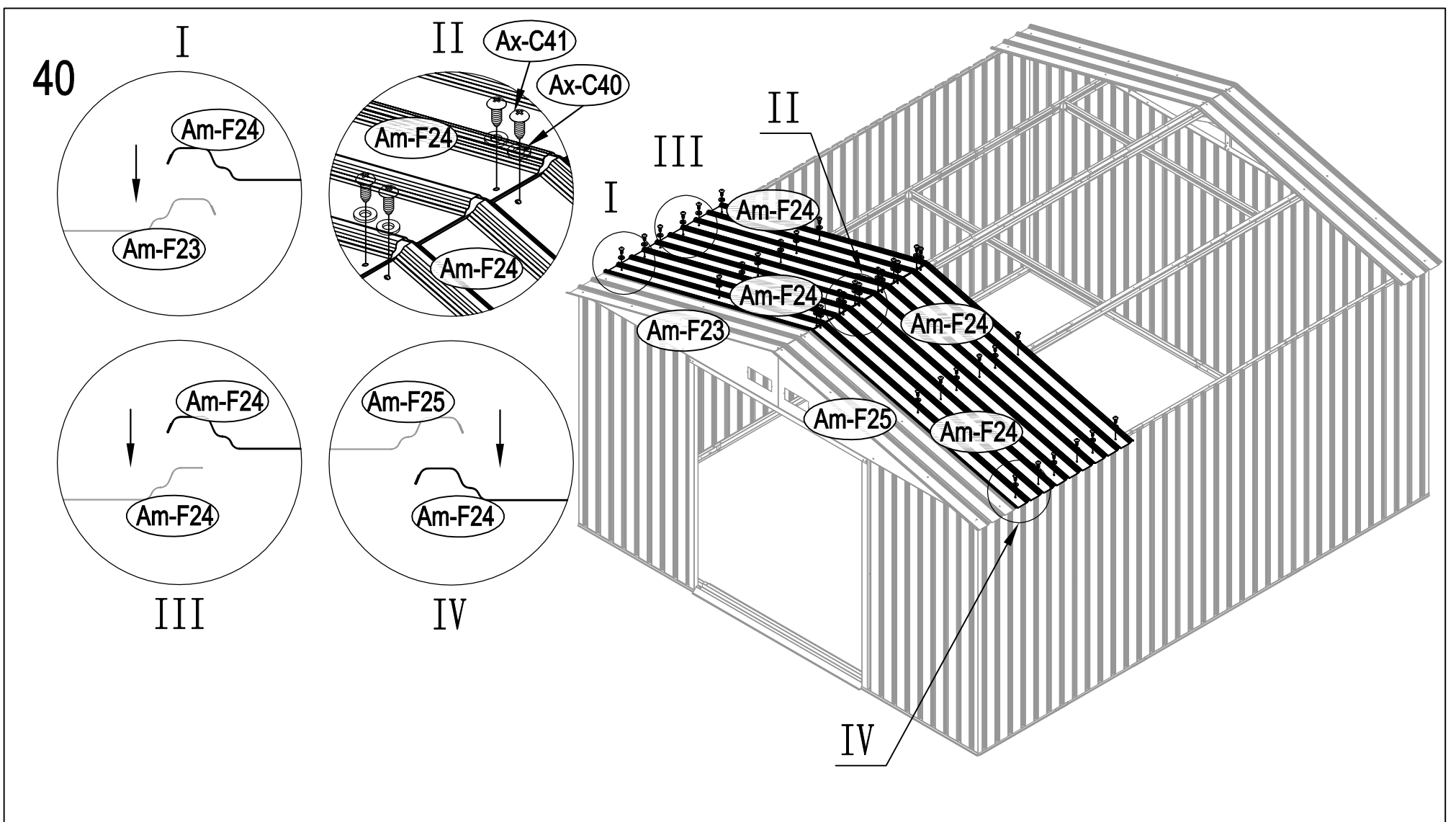
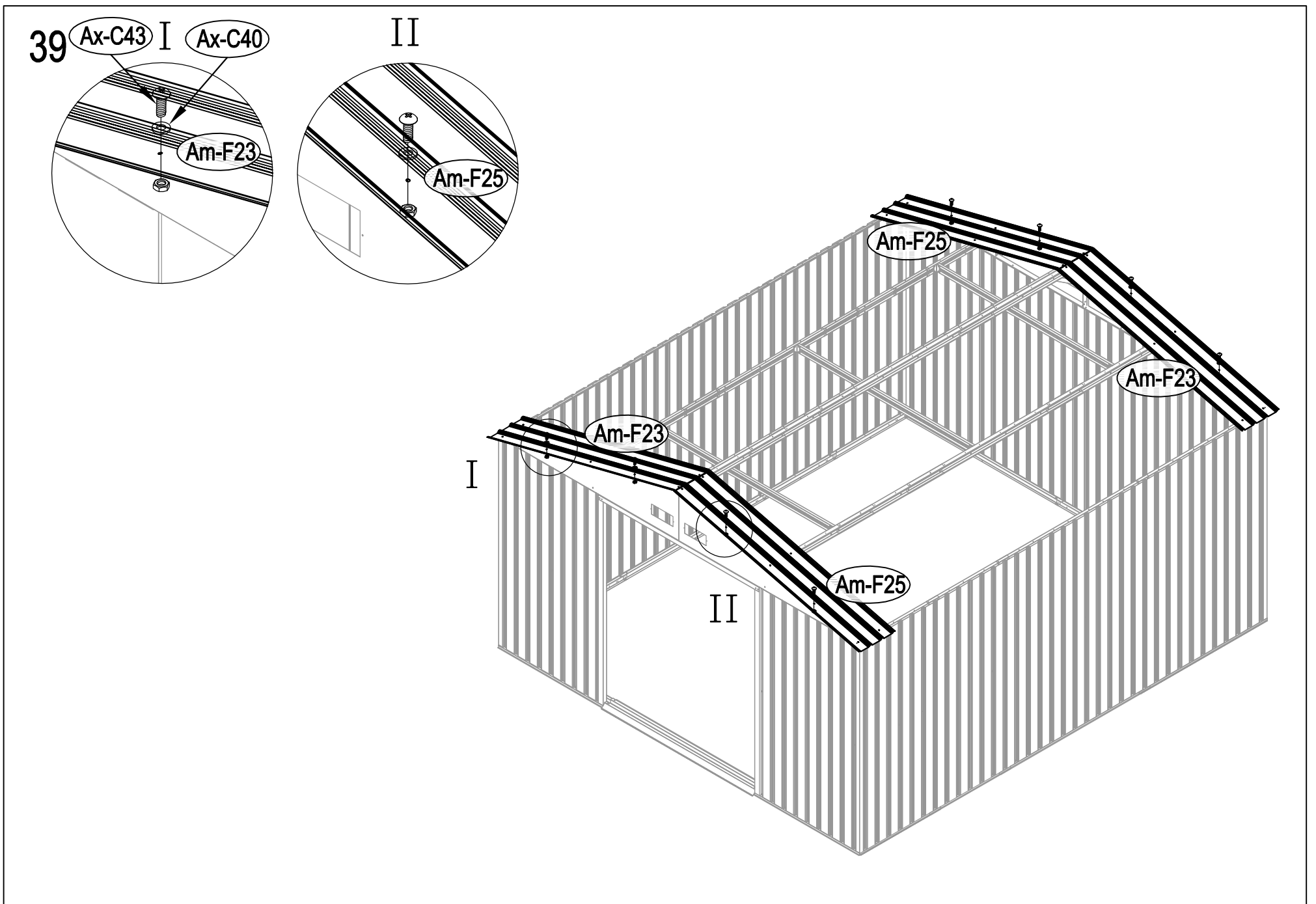
Archer F:		
Archer G:	Ax-C21 (3)	} }
Archer H:		


38



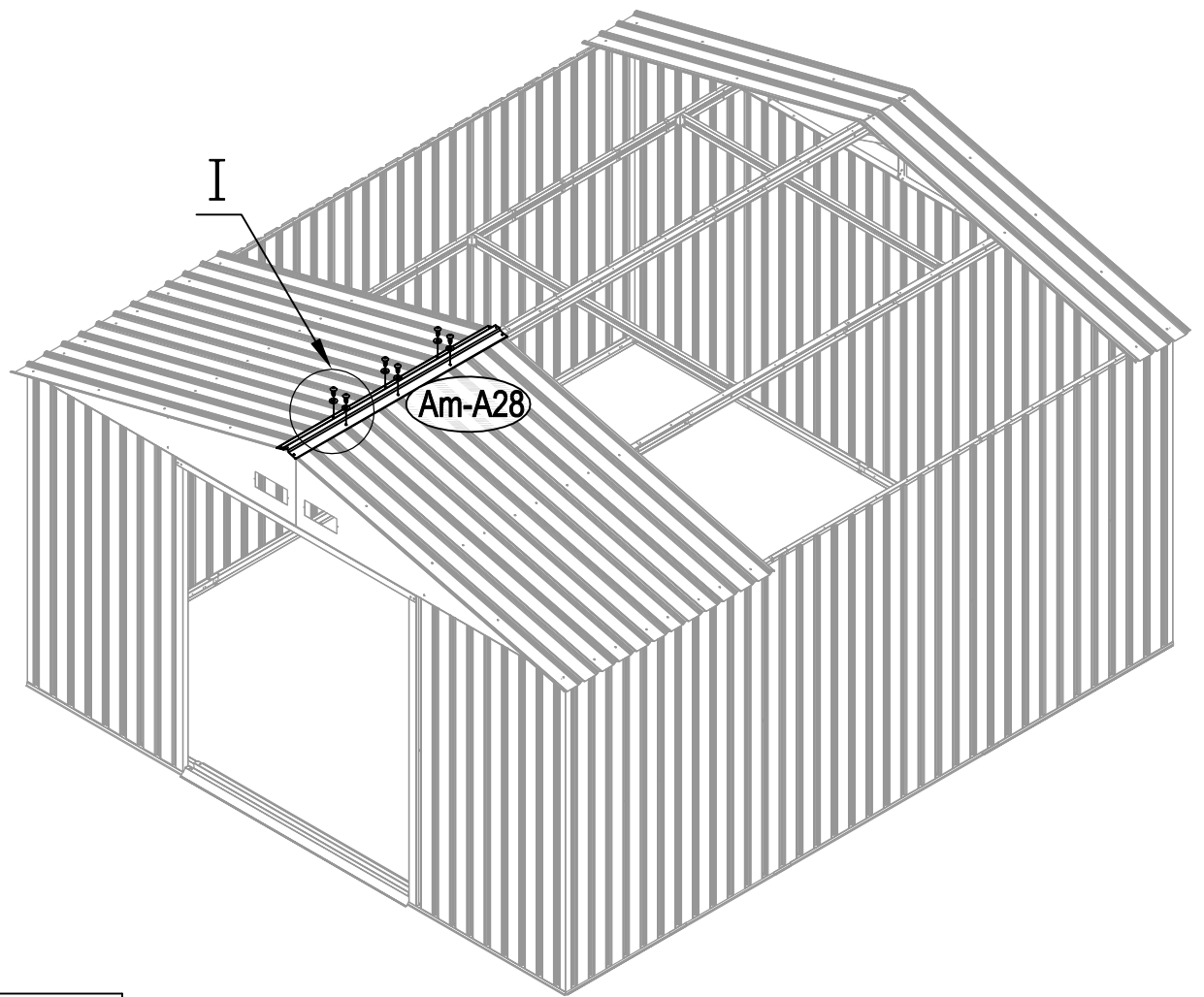
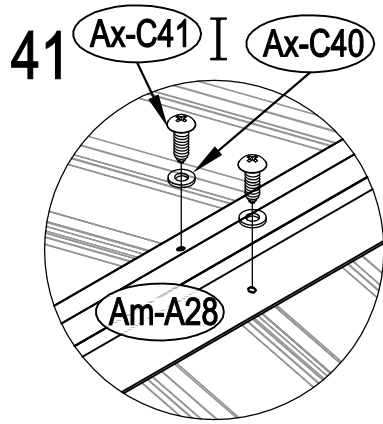
Archer F:			
Archer G:	Am-F23 (2)	Am-F25 (2)	~~~~~
Archer H:			



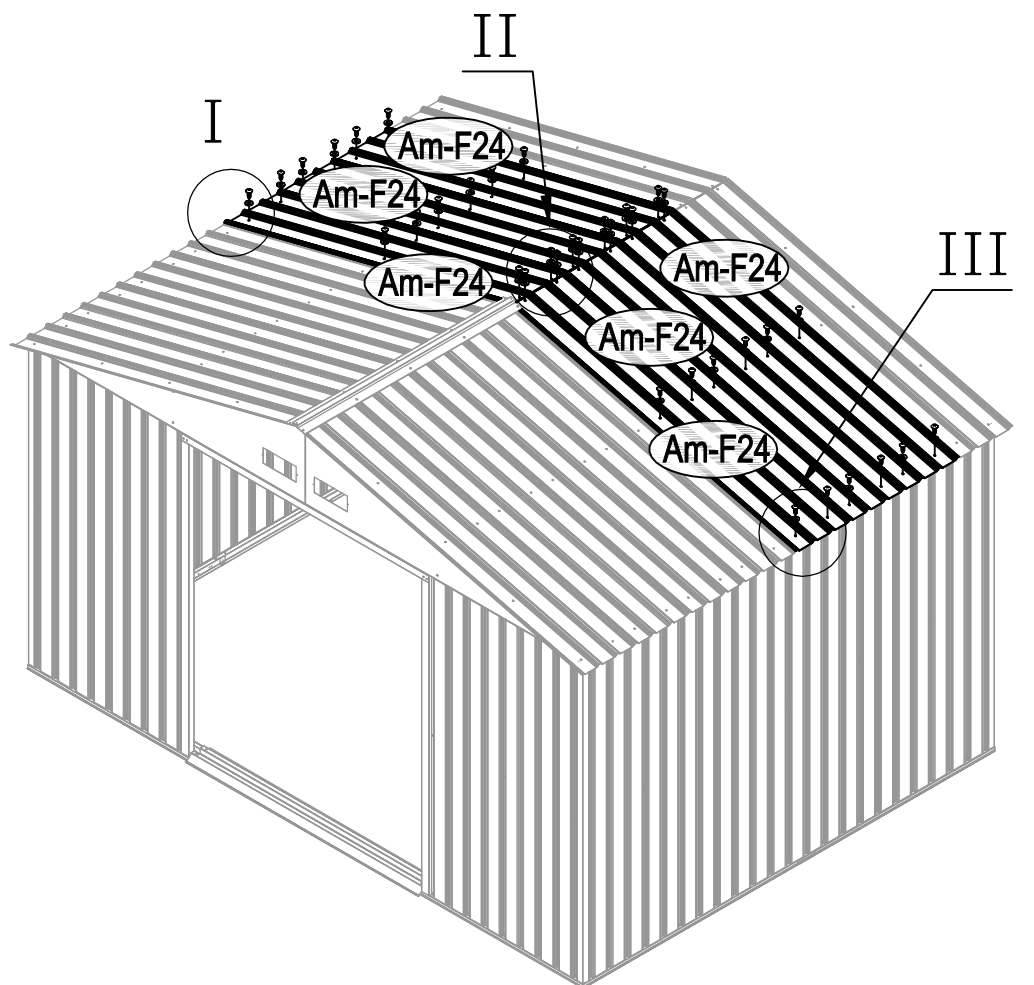
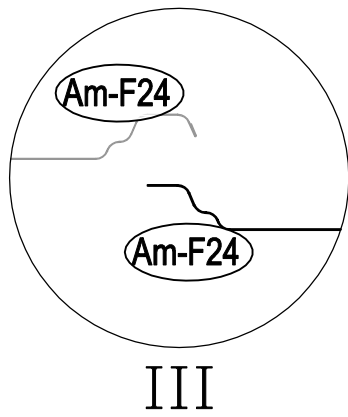
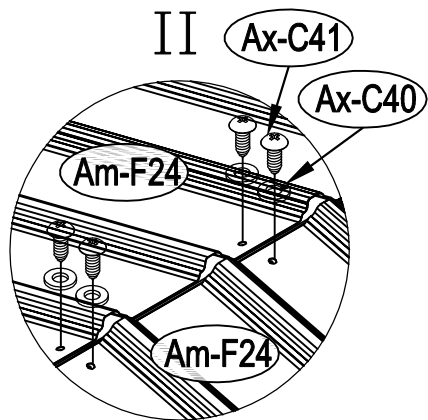
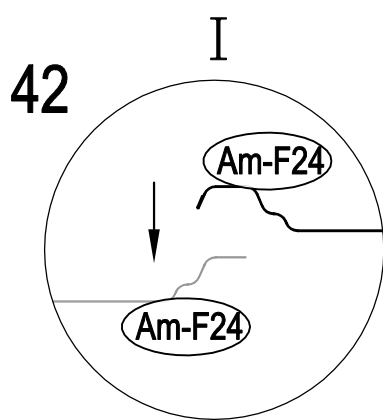


Archer F:		
Archer G:	Am-F24 (4)	
Archer H:		





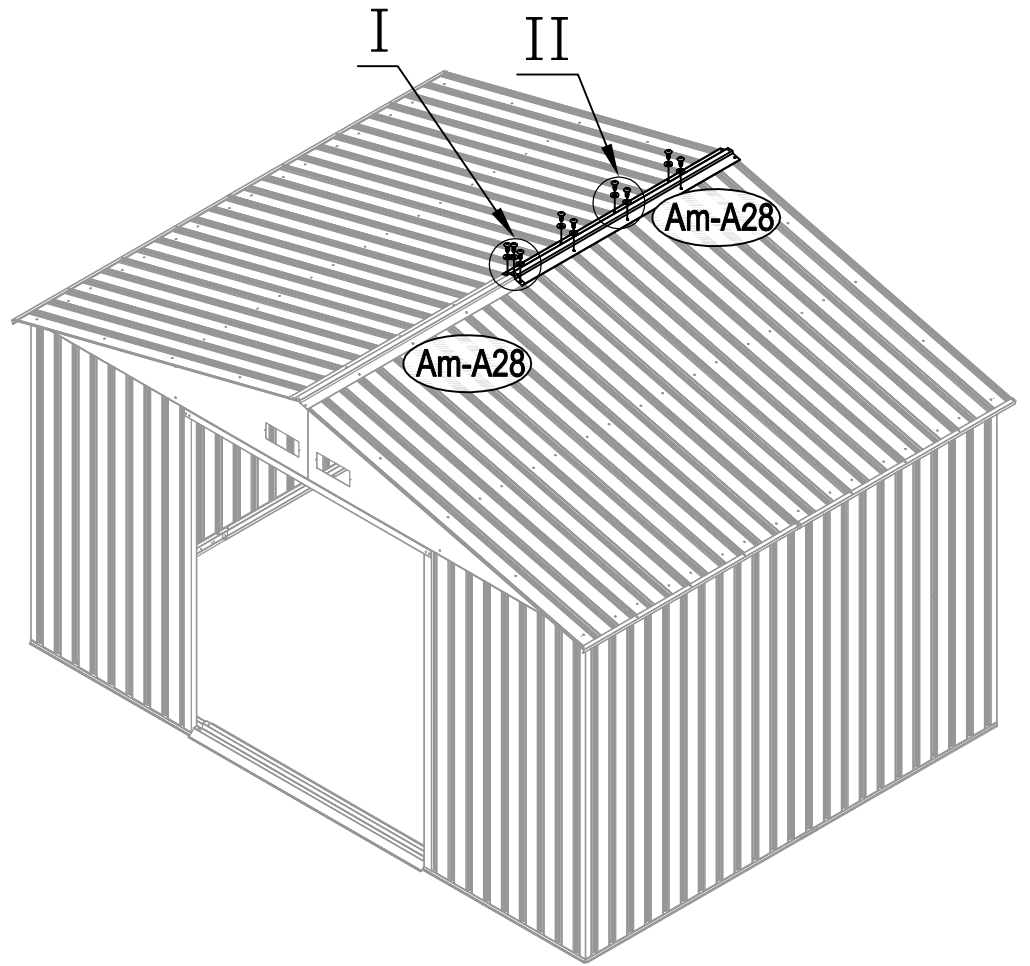
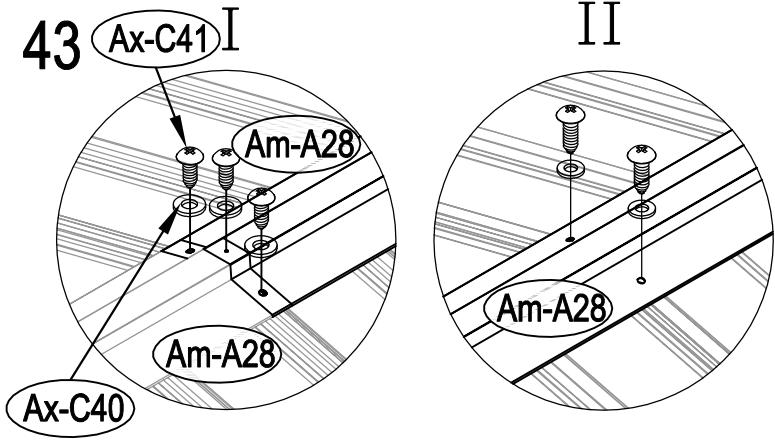
Archer F:		
Archer G:	Am-A28 (1)	
Archer H:		



Archer F:	Am-F24 (6)	
-----------	------------	--

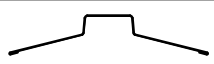


43

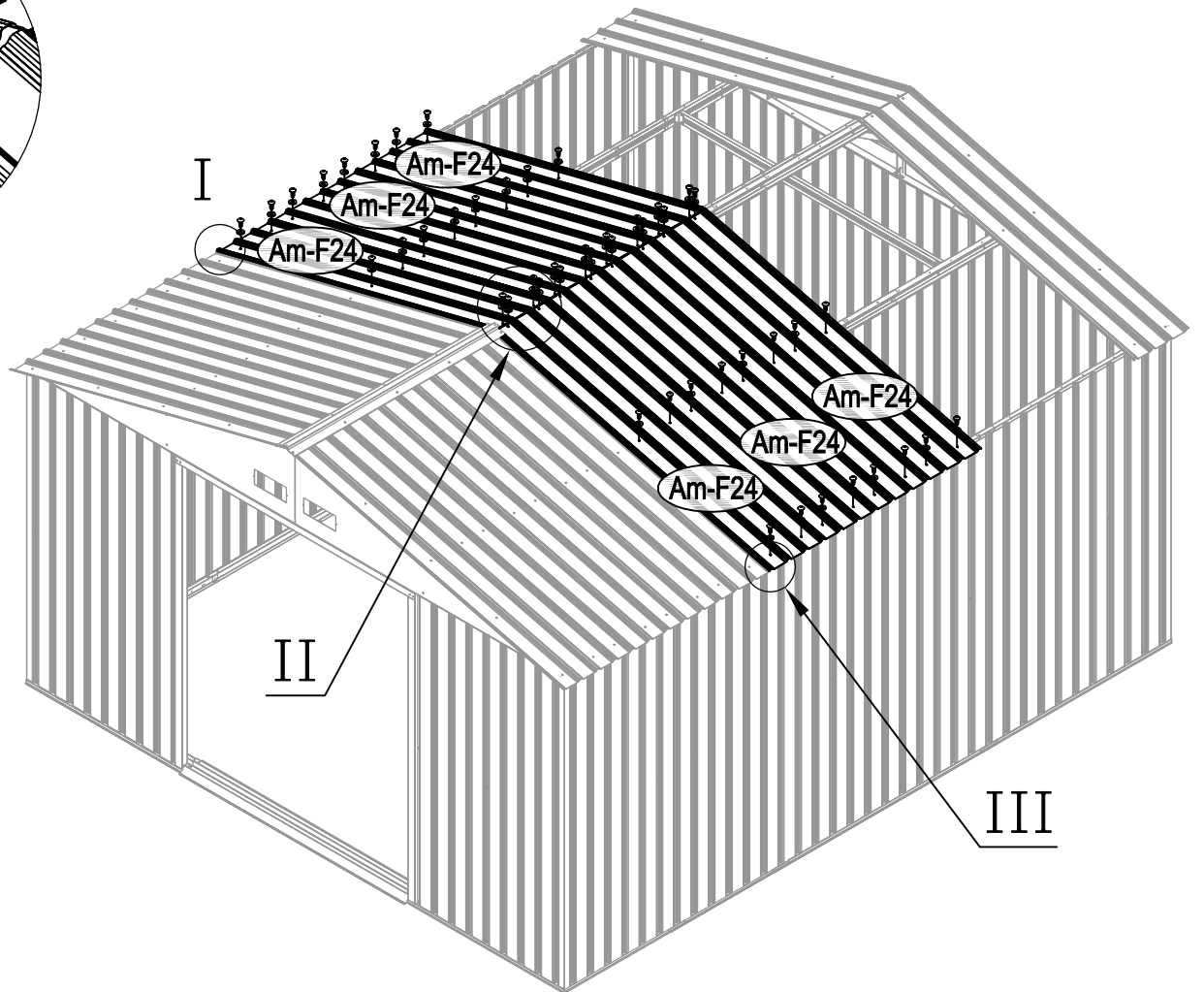
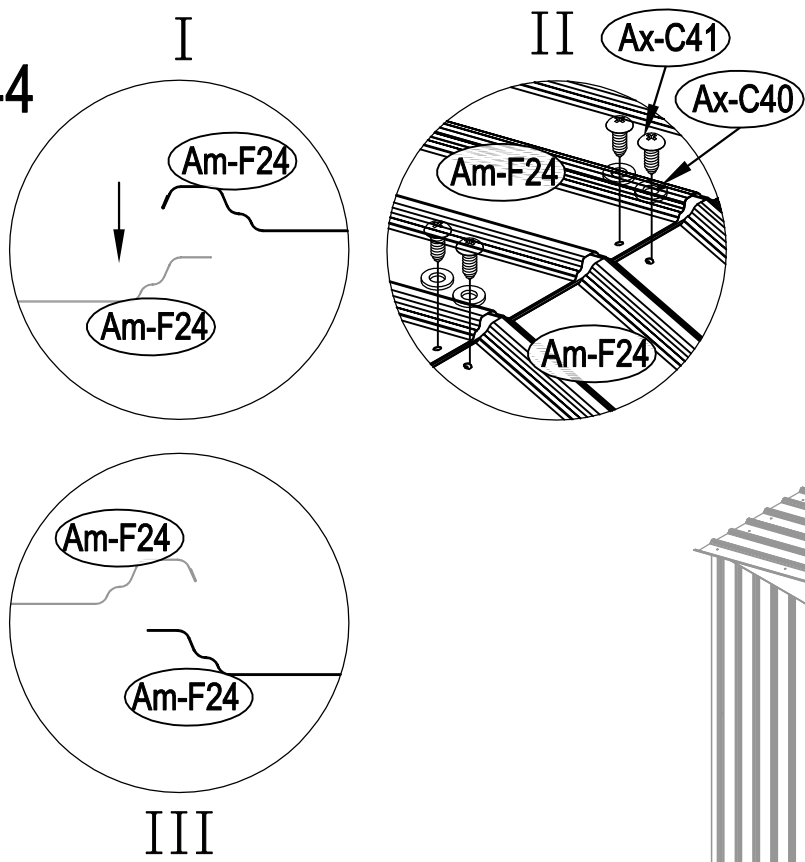


Archer F:

Am-A28 (1)



44



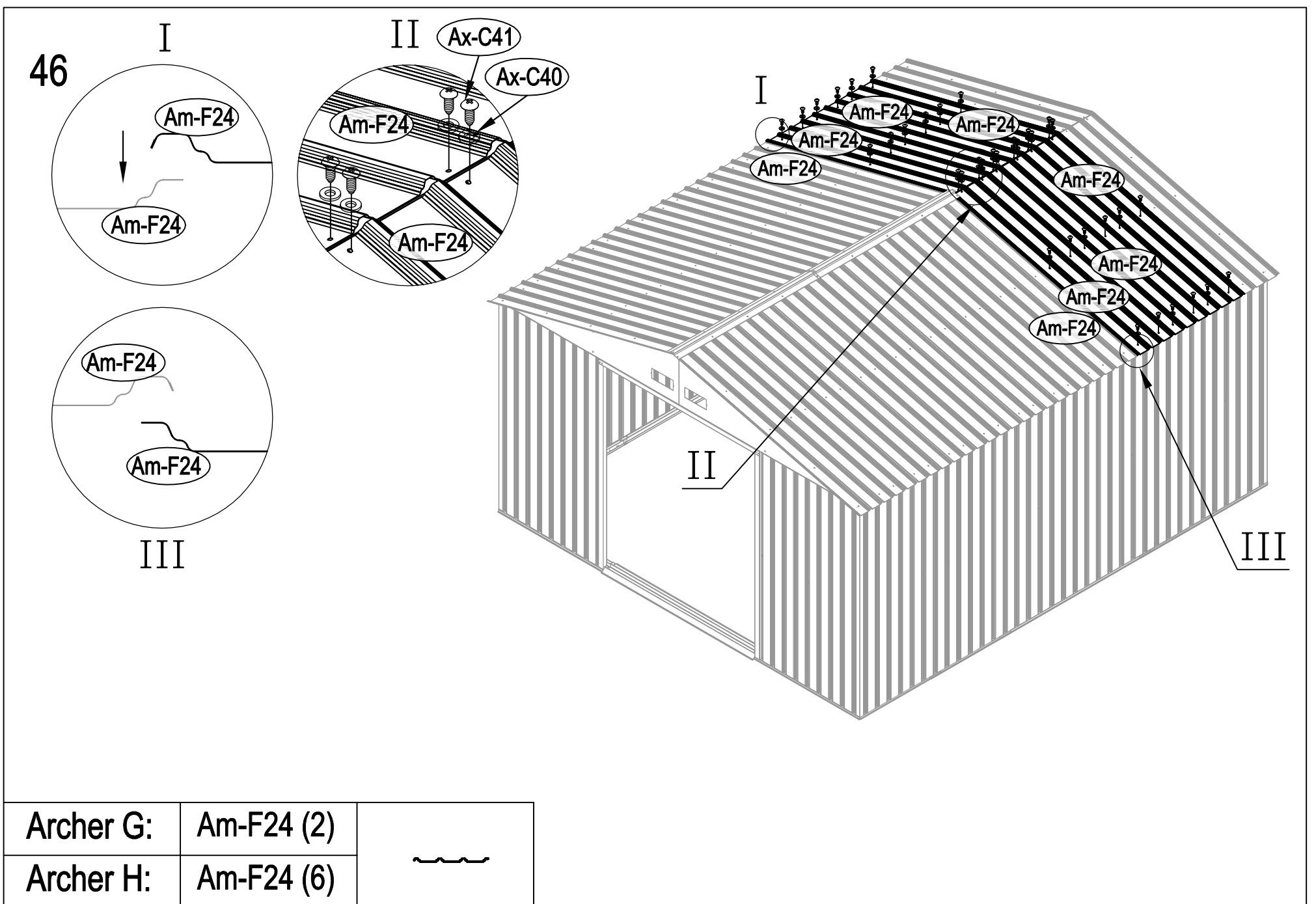
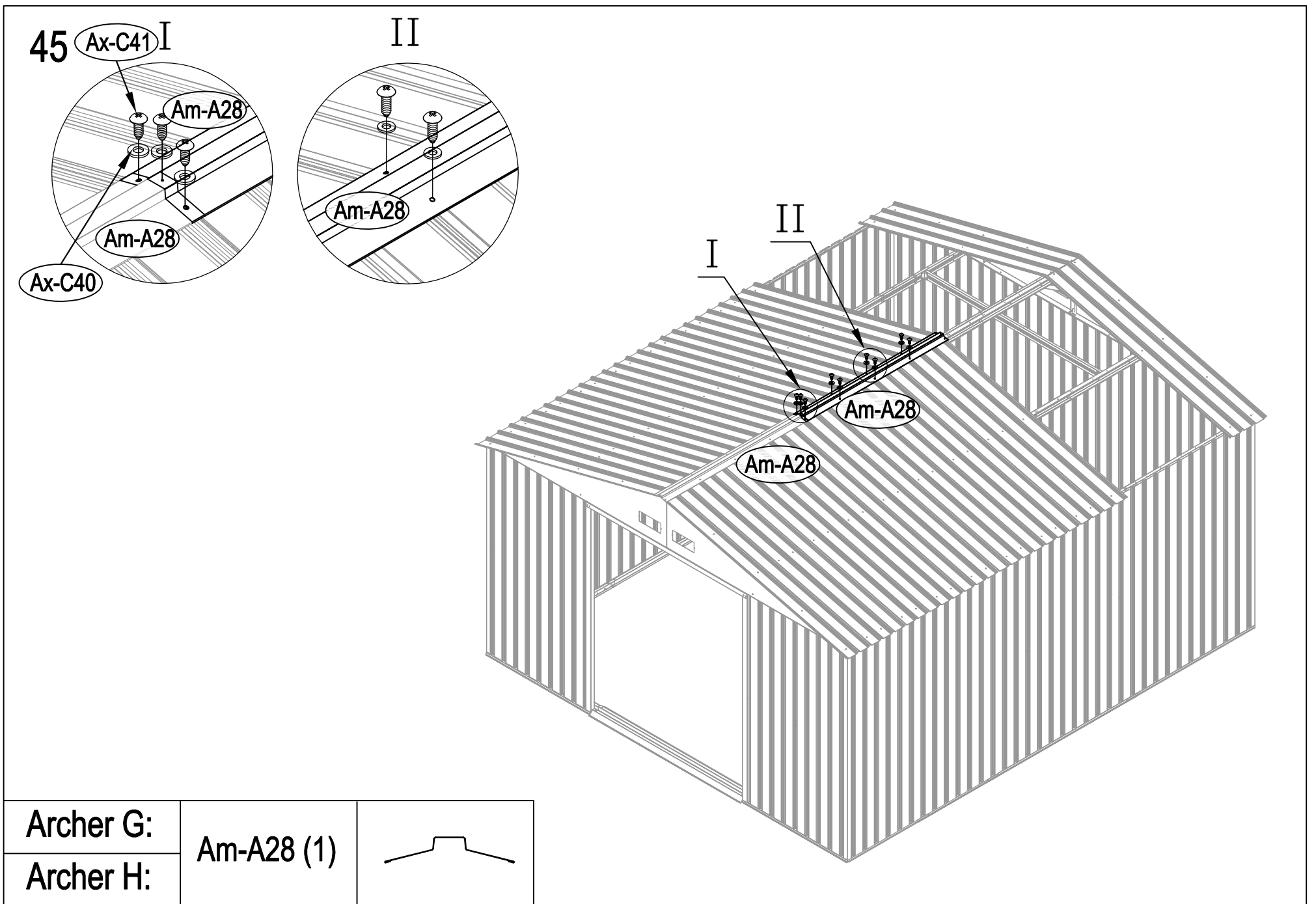
Archer G:

Am-F24 (6)

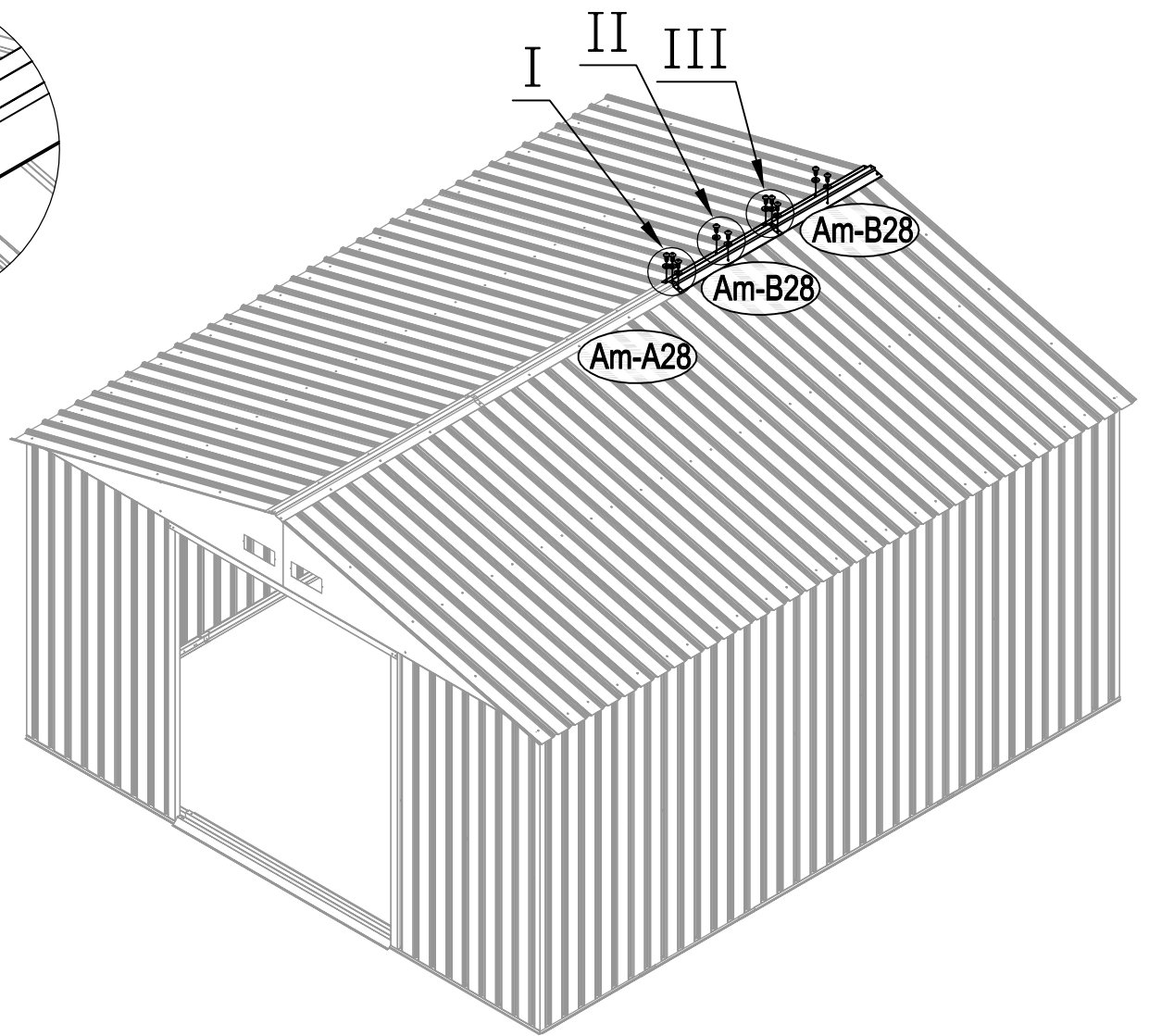
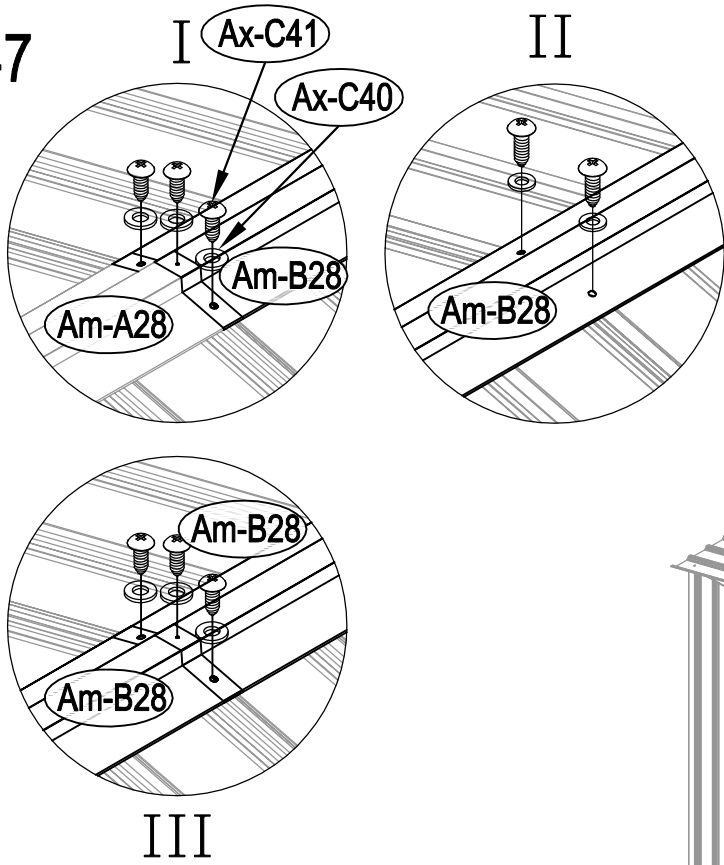
Archer H:





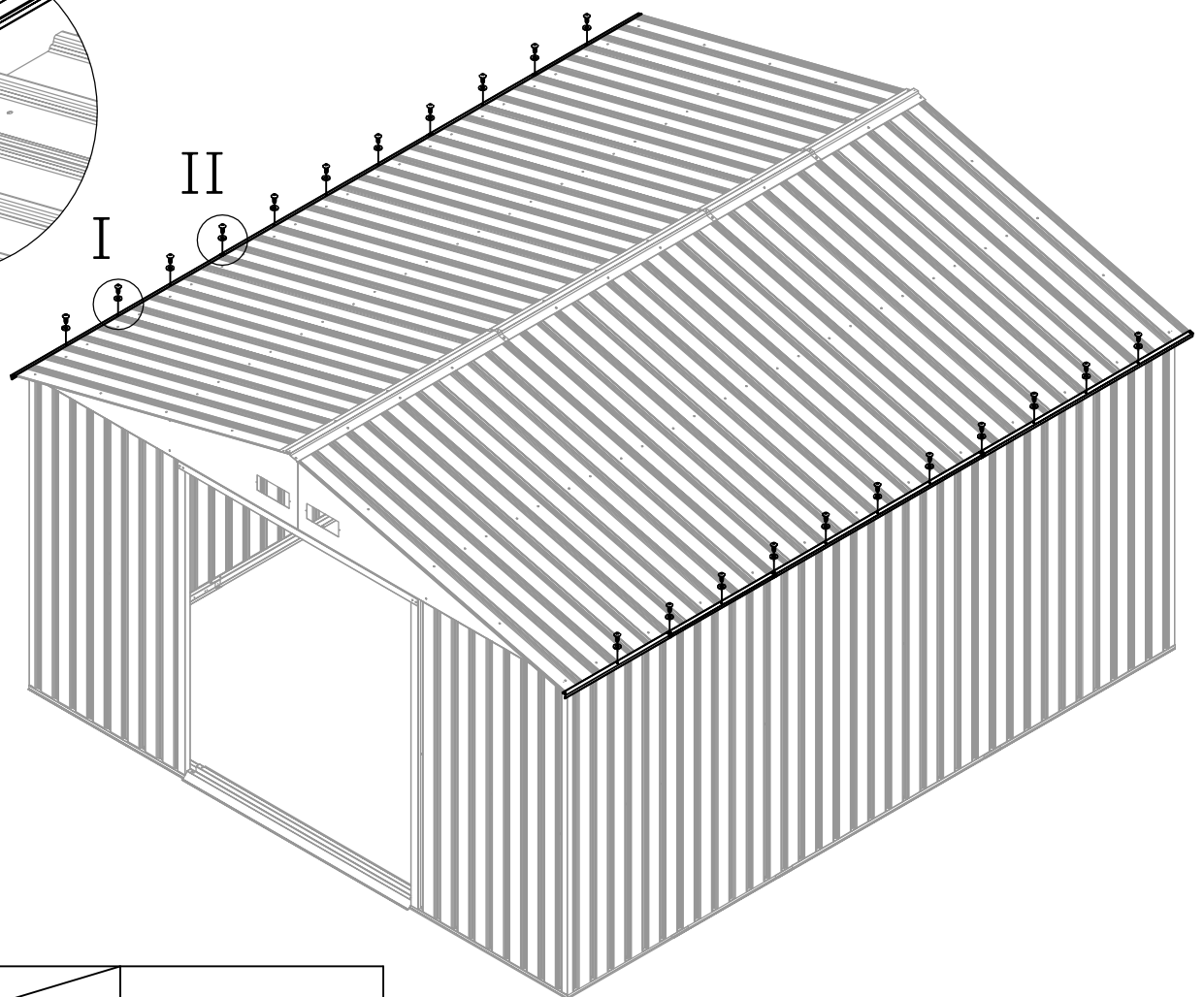
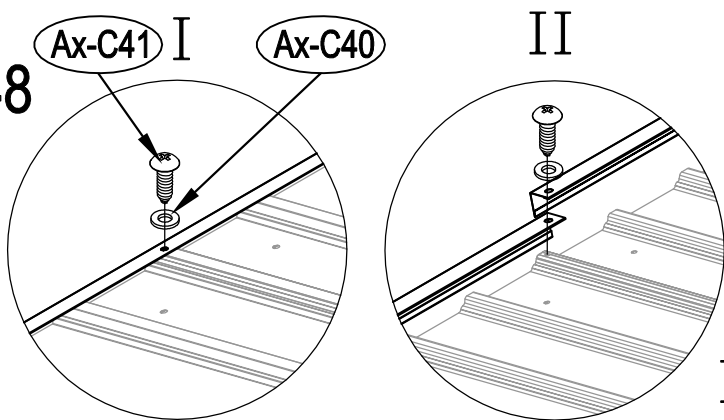


47



Archer G:	Am-B28 (1)	
Archer H:	Am-B28 (2)	

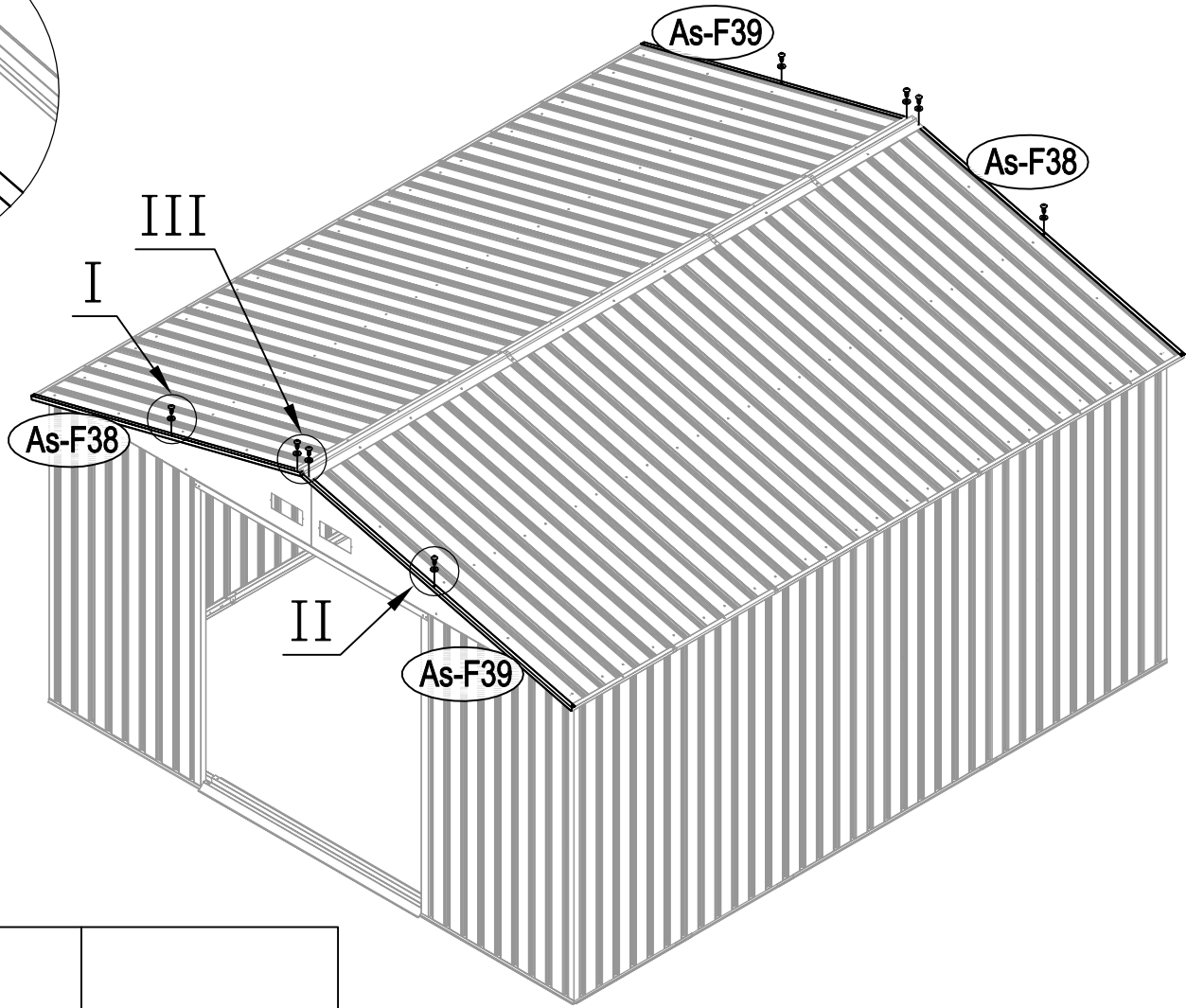
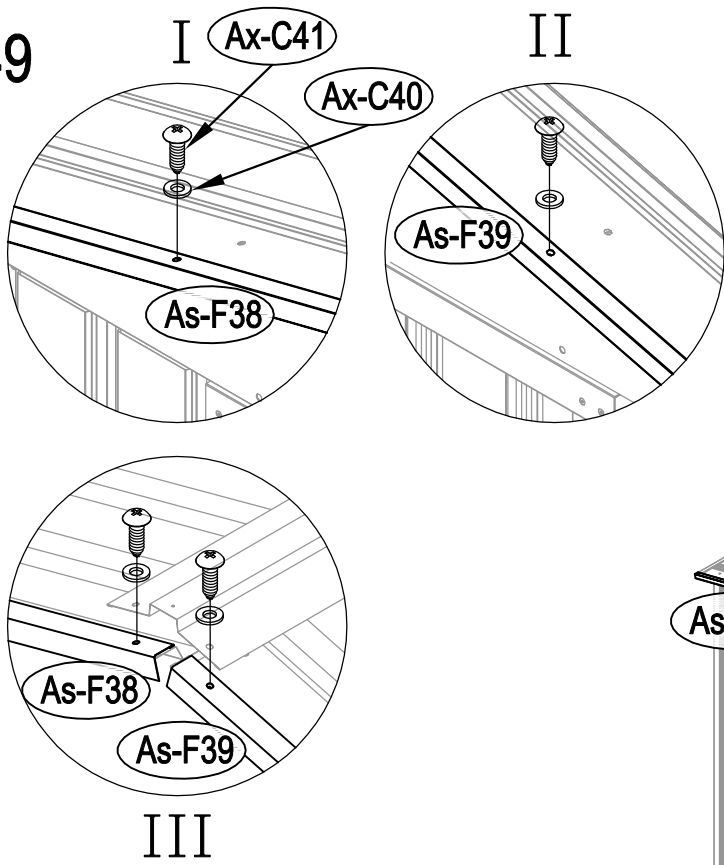
48




Archer F:			
Archer G:	Am-26 (4)	Am-27 (2)	
Archer H:		Am-27 (4)	

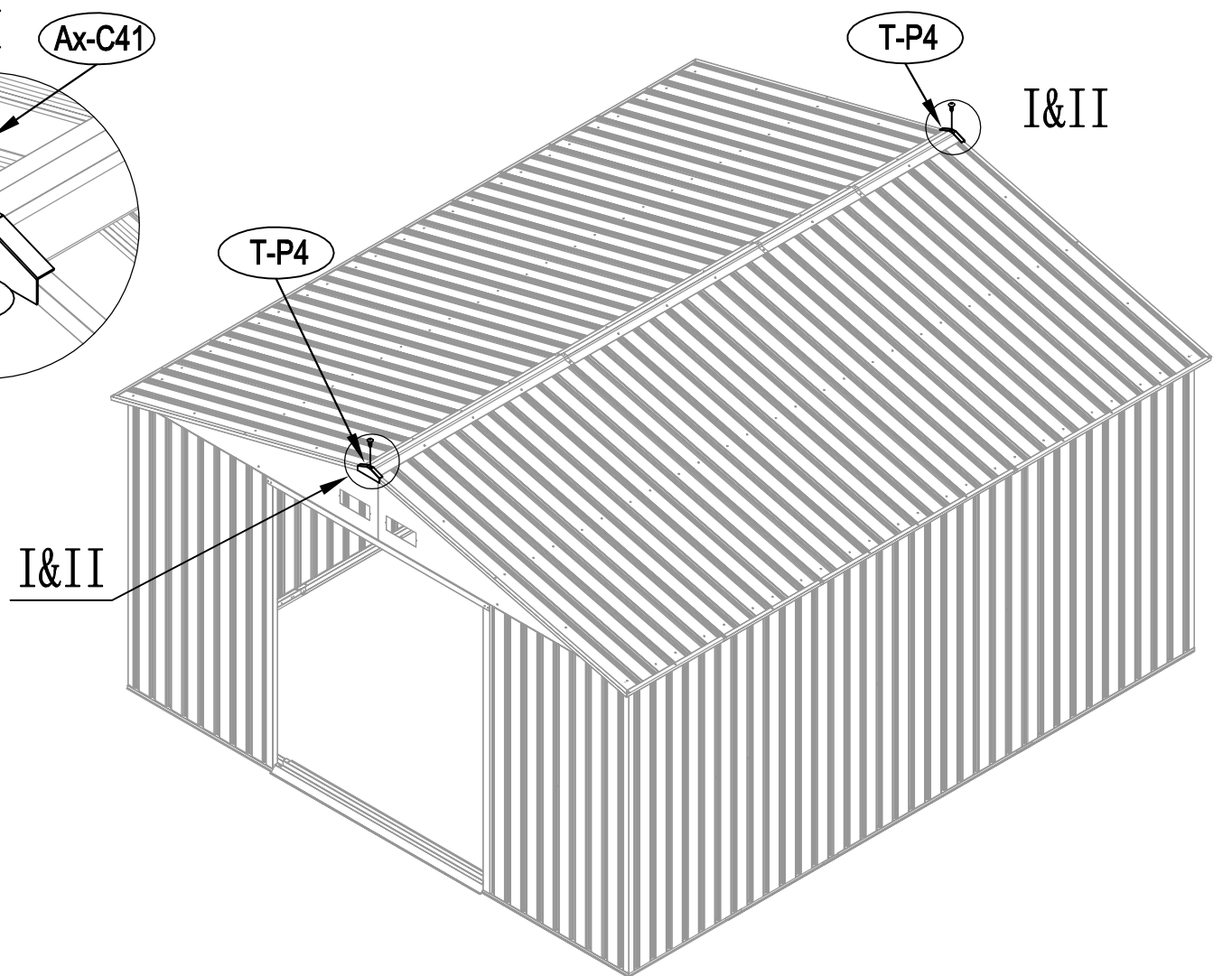
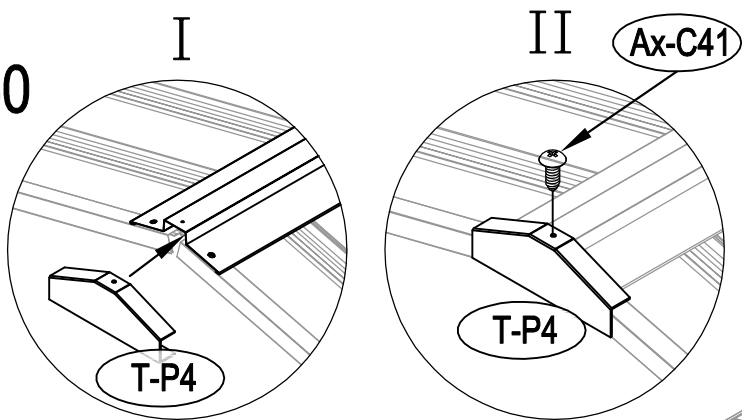


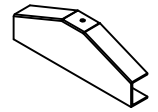
49



Archer F:			
Archer G:	As-F38 (2)	As-F39 (2)	
Archer H:			

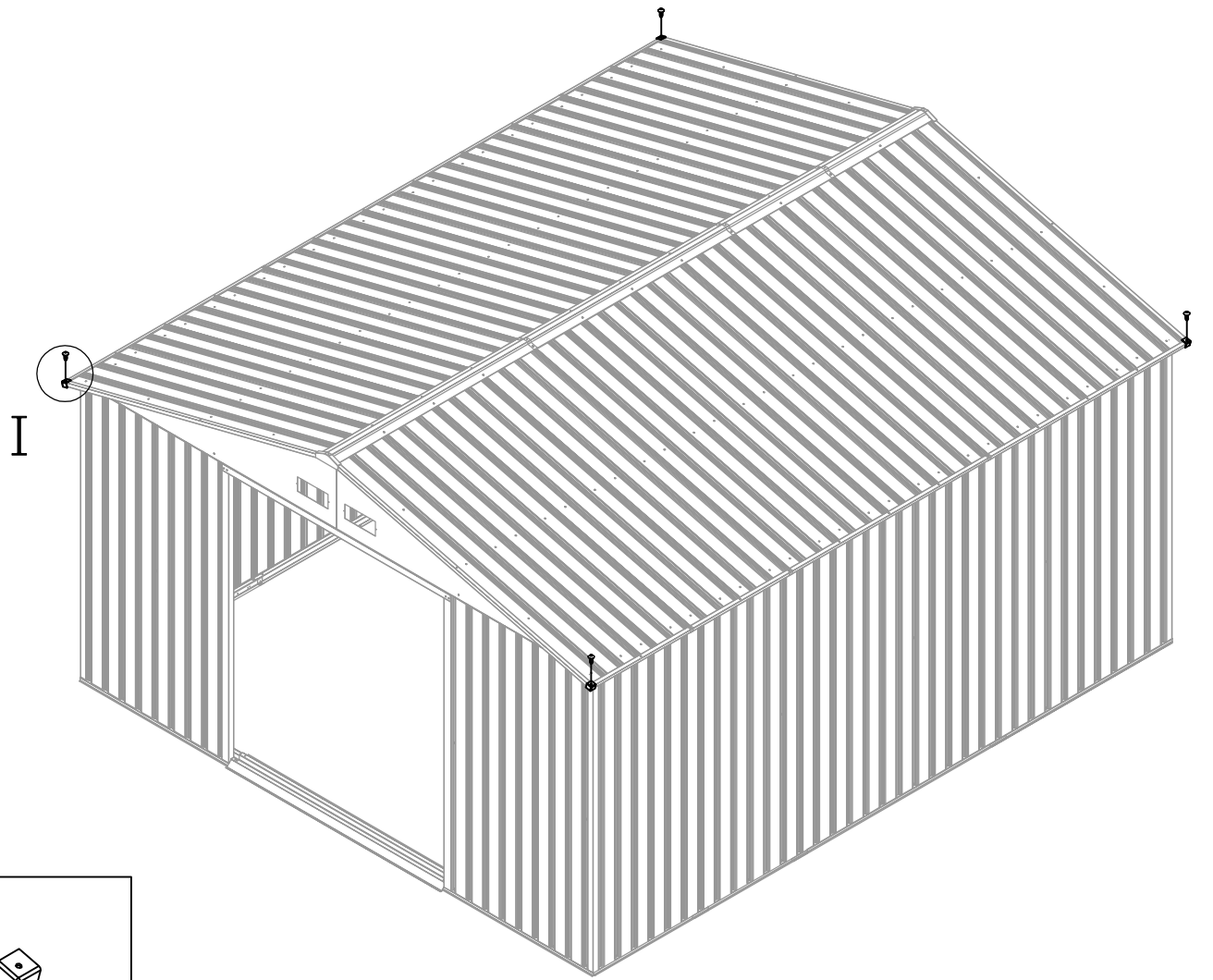
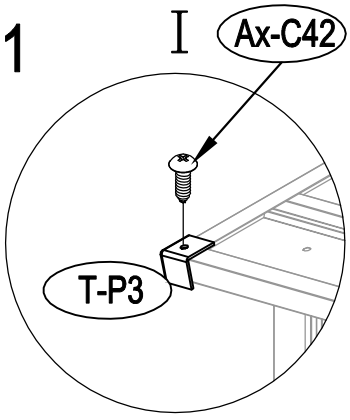
50




Archer F:		
Archer G:	T-P4 (2)	
Archer H:		

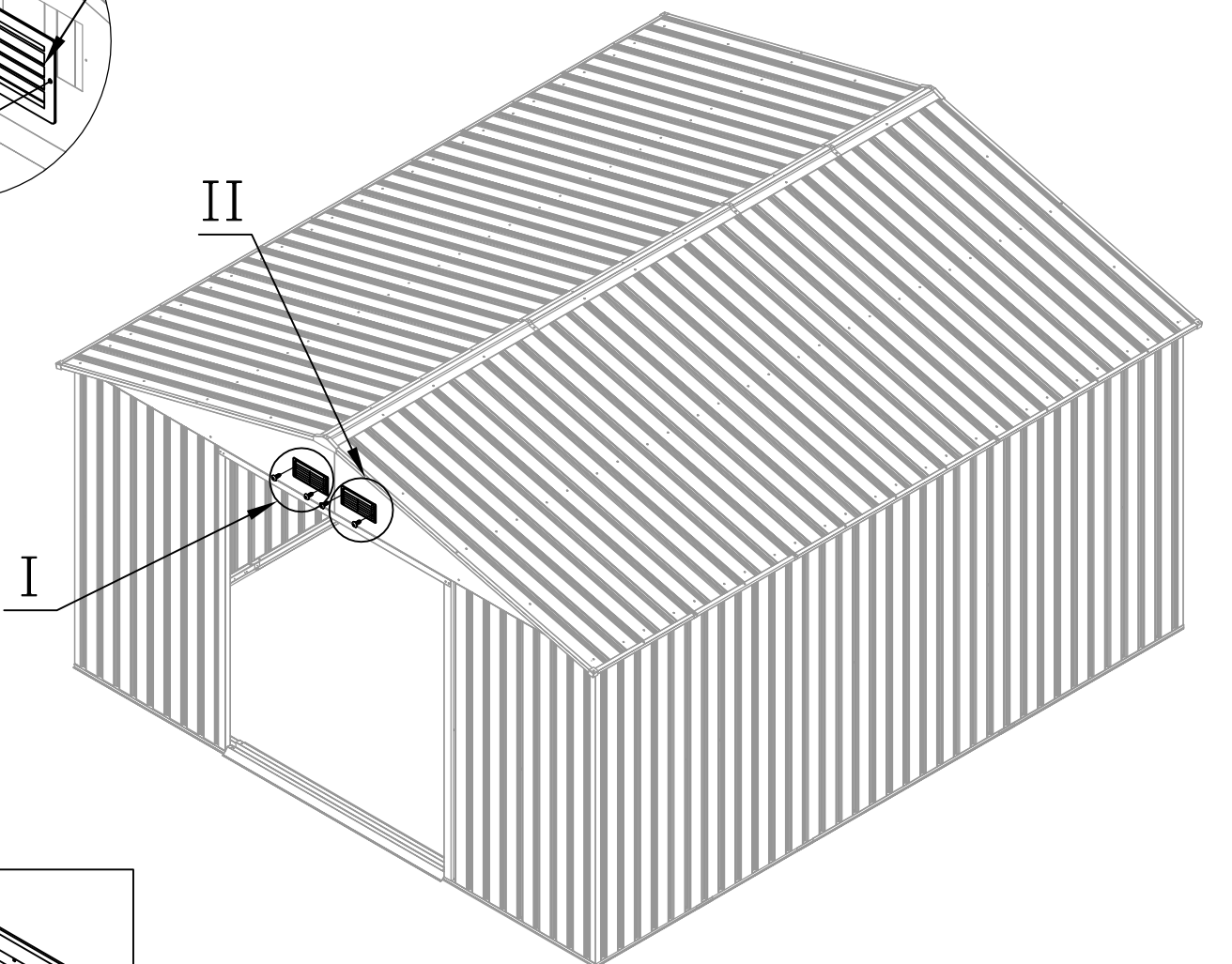
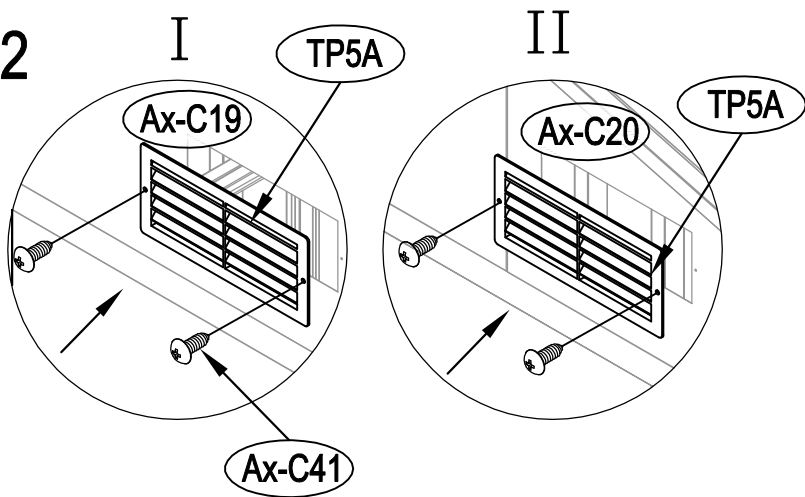


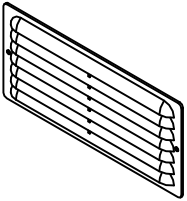
51



Archer F:		
Archer G:	T-P3 (4)	
Archer H:		

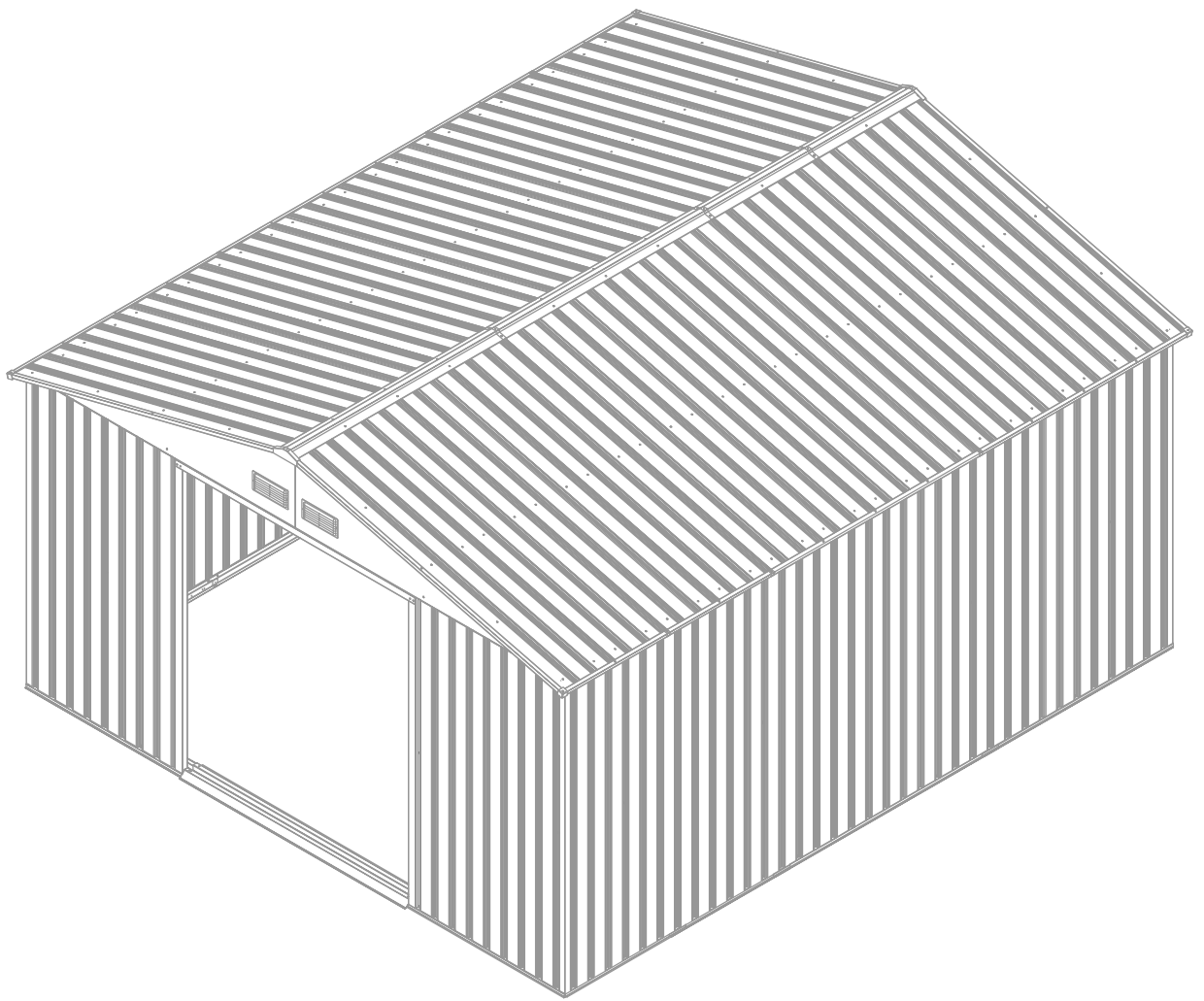
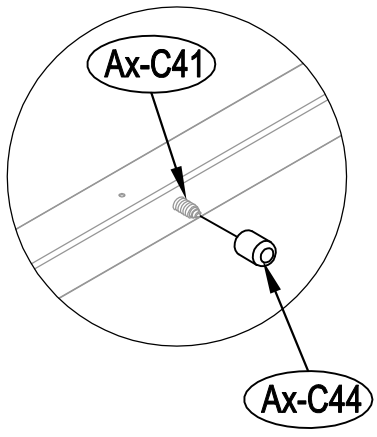
52



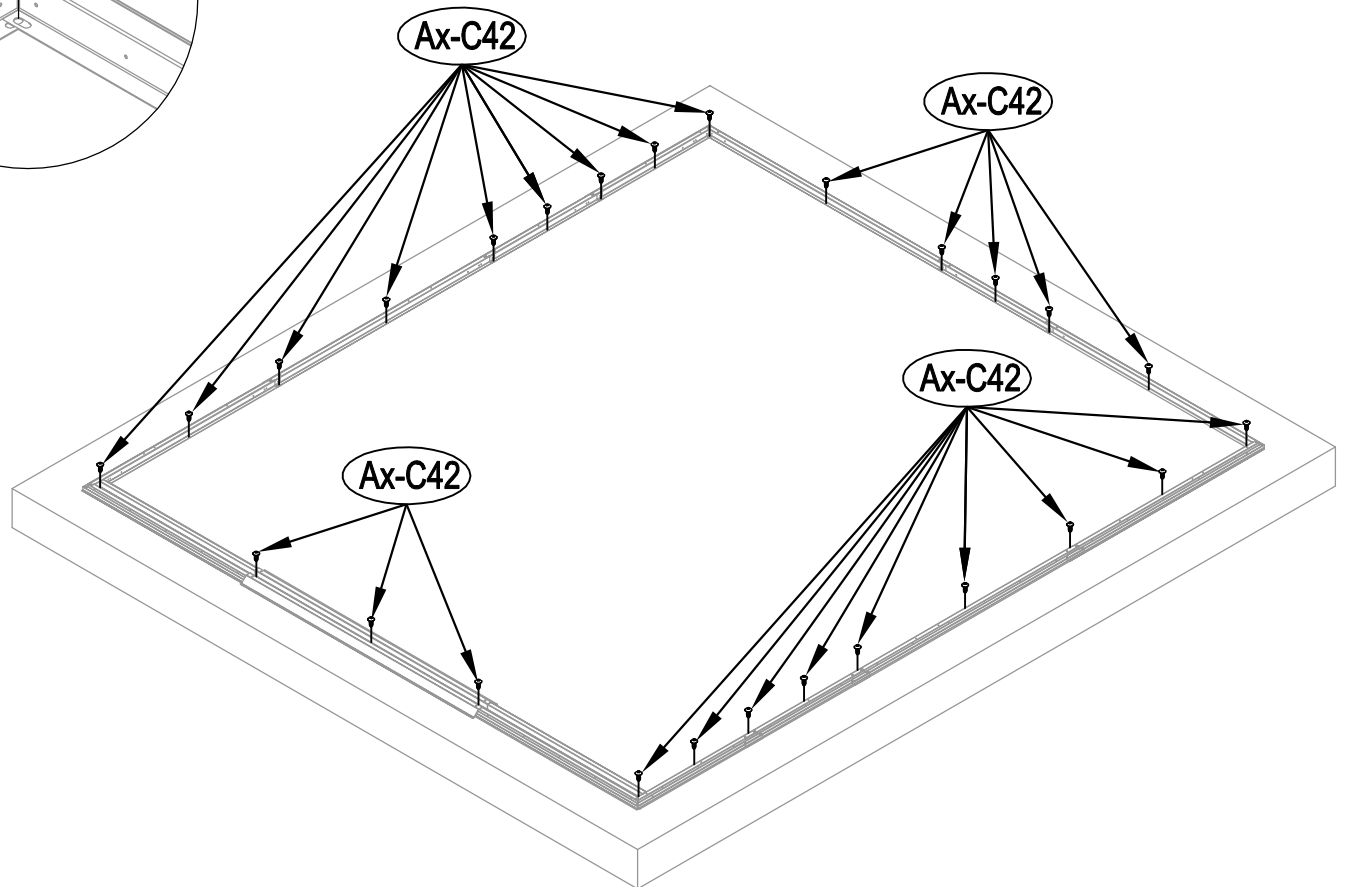
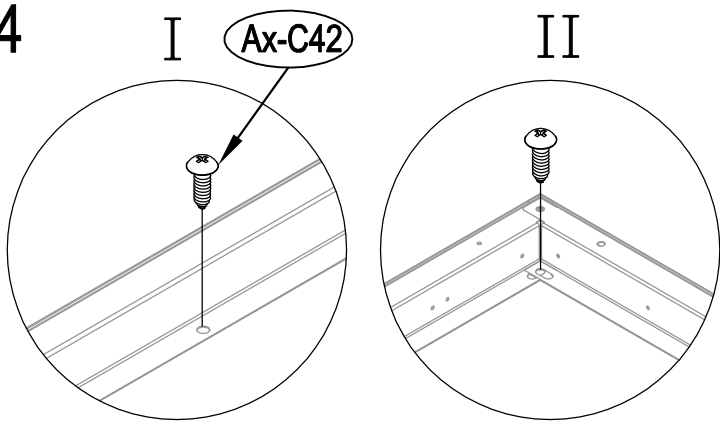
Archer F:		
Archer G:	TP5A (4)	
Archer H:		

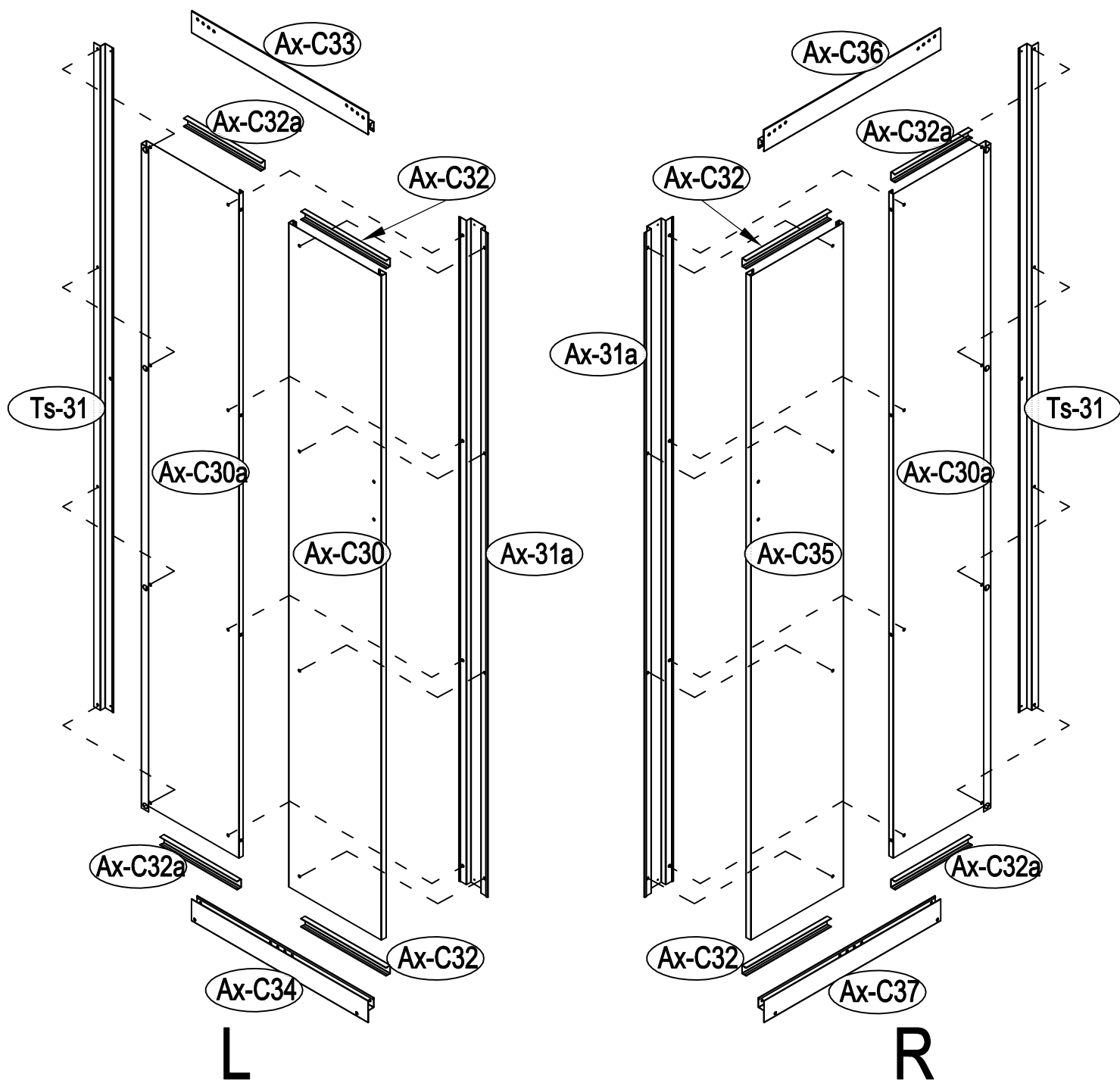


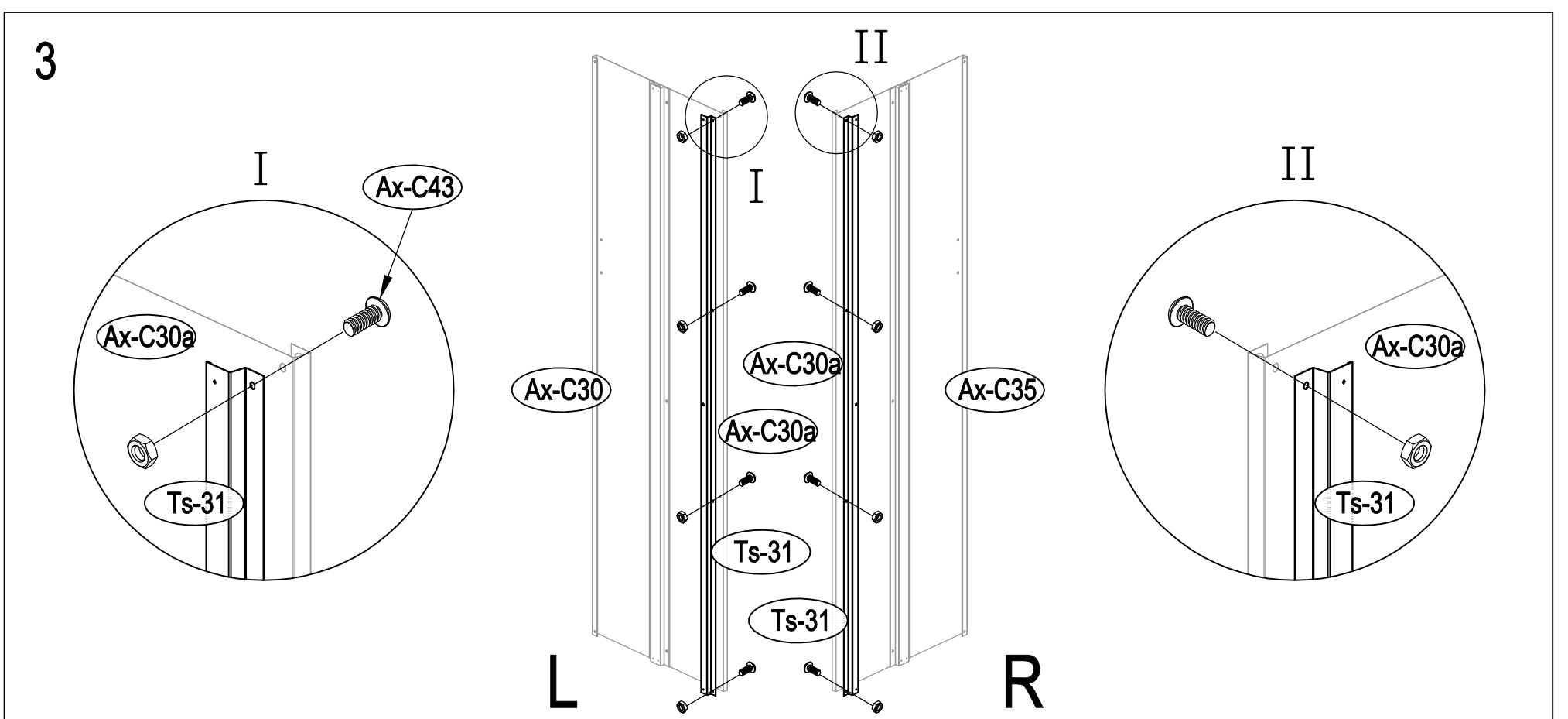
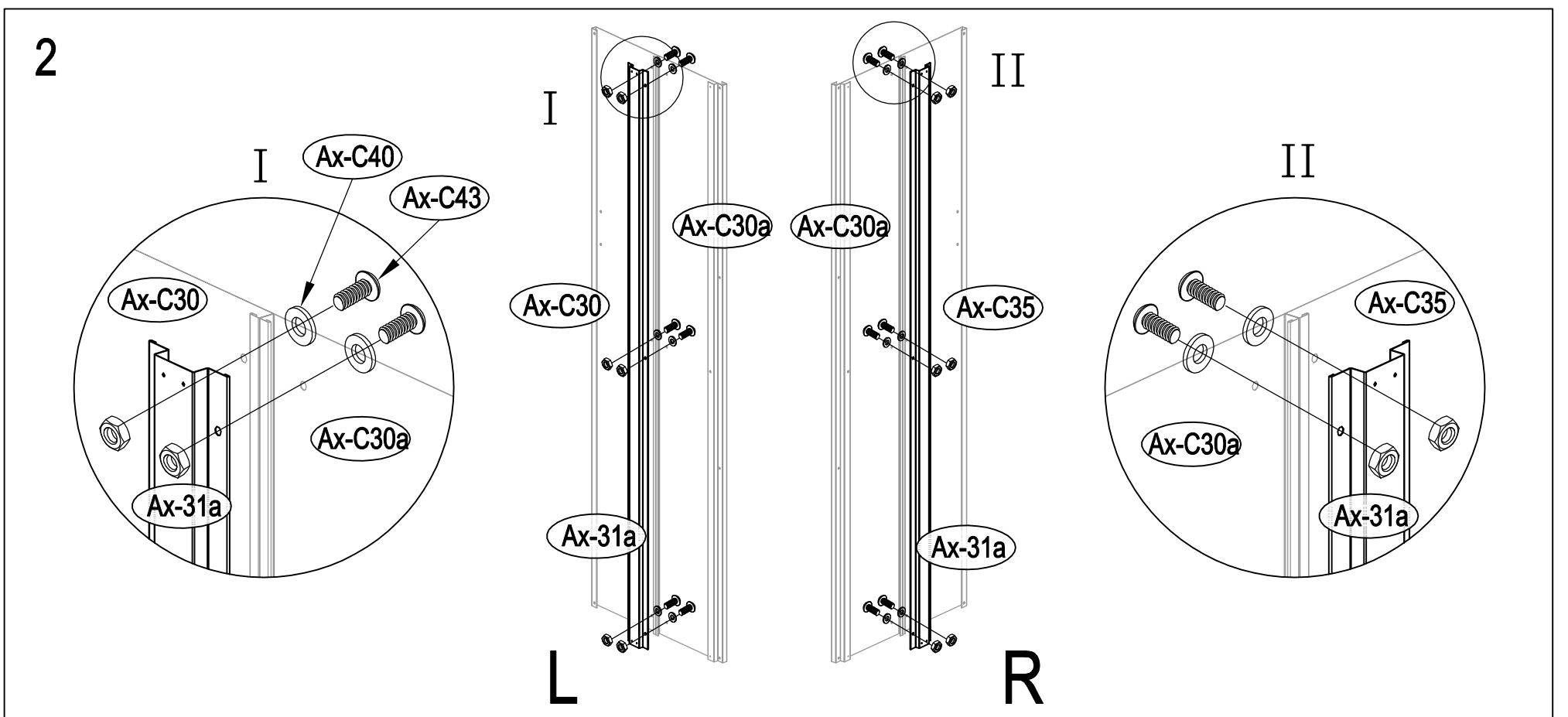
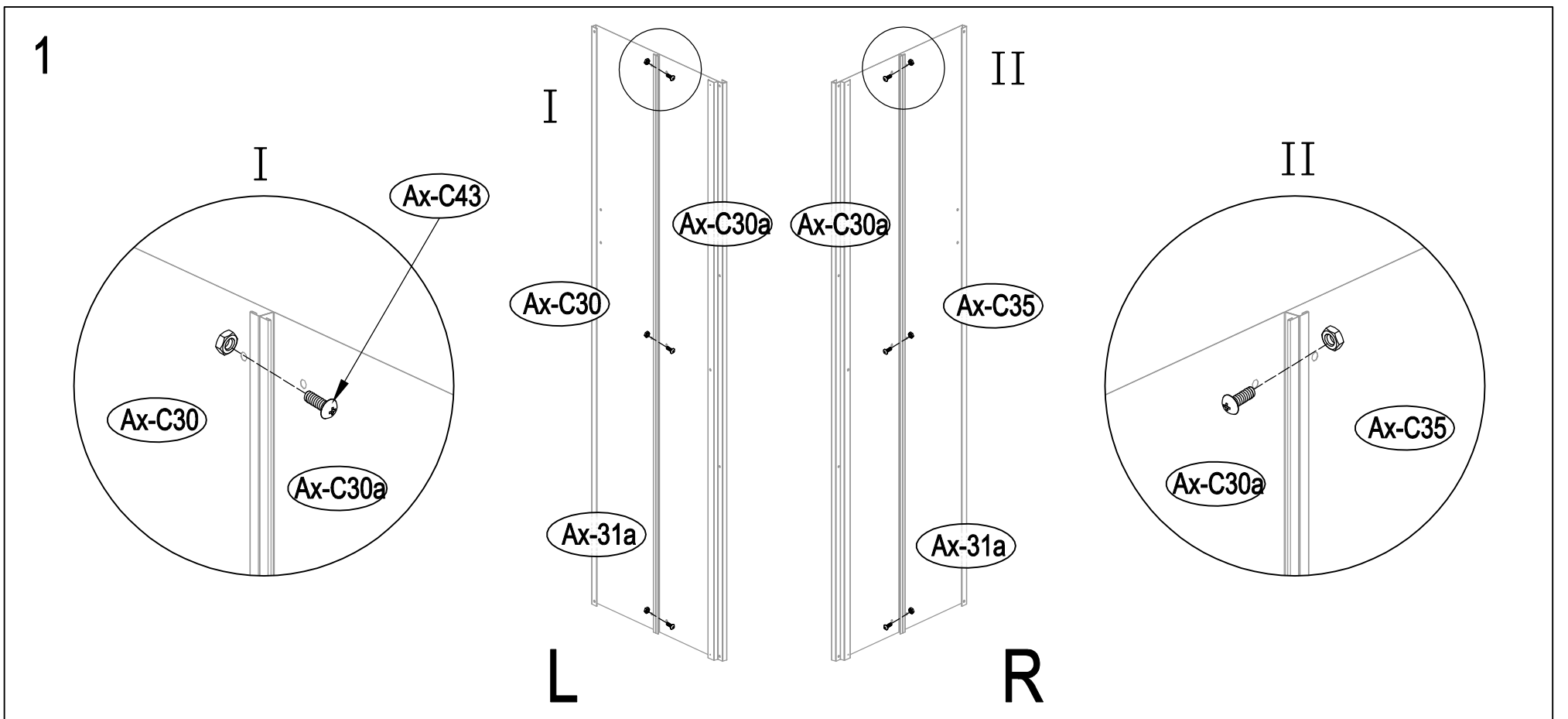
53

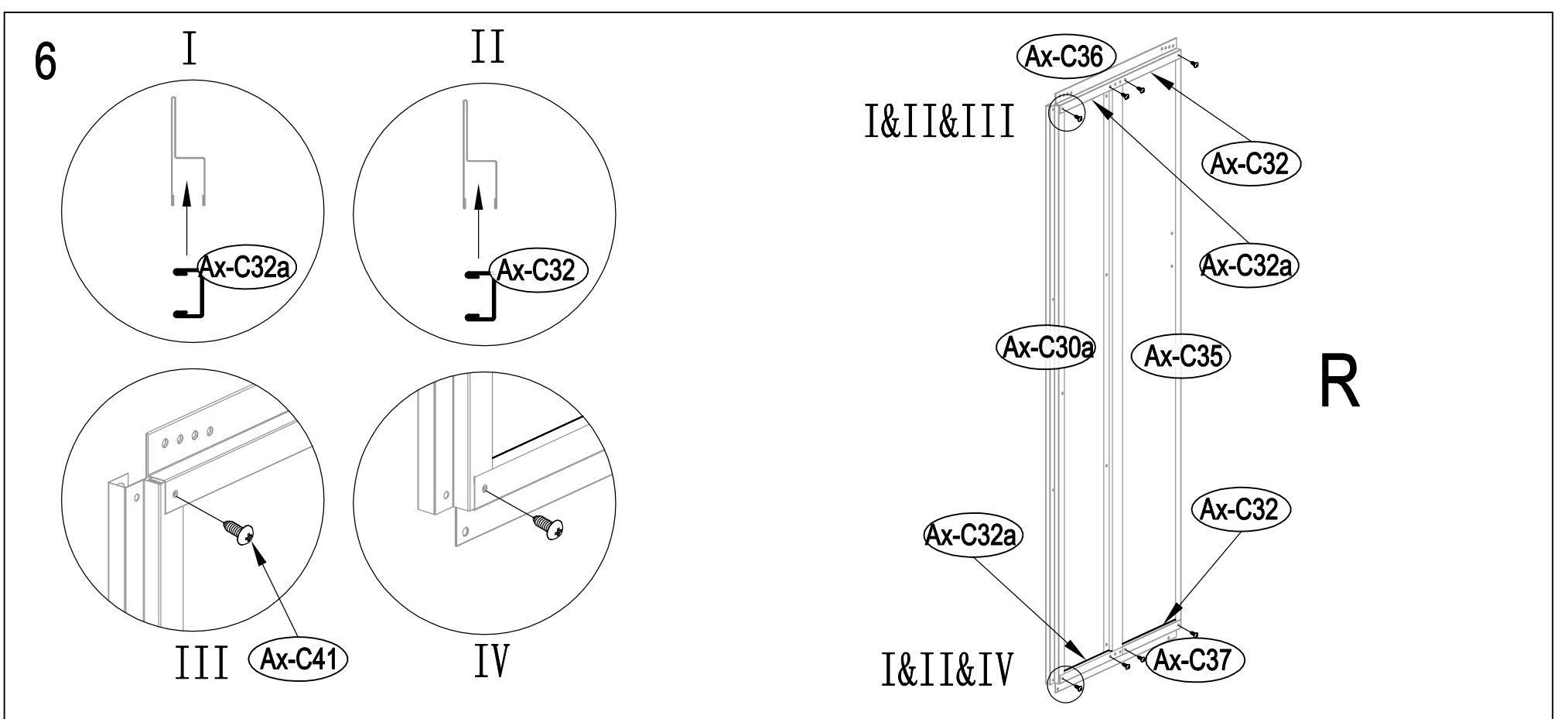
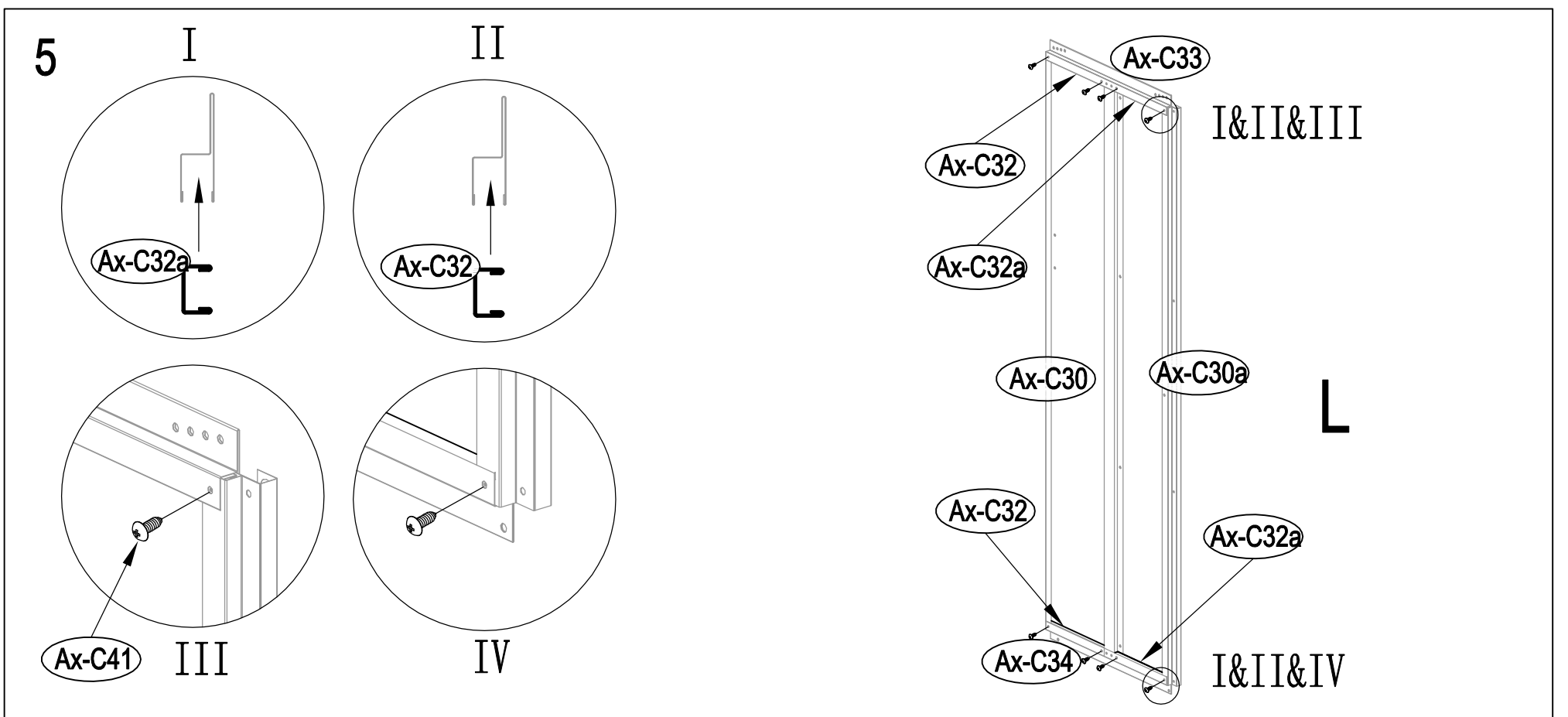
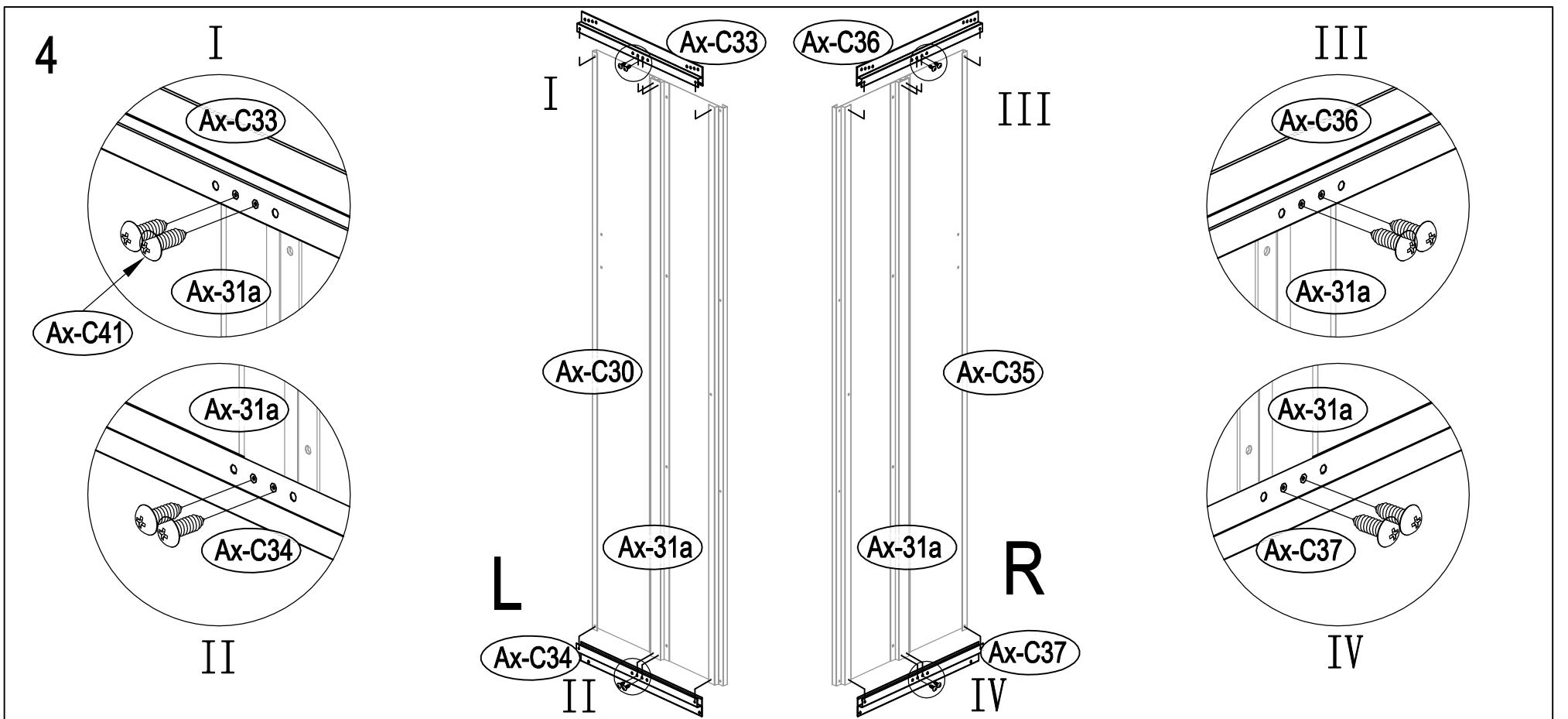


54

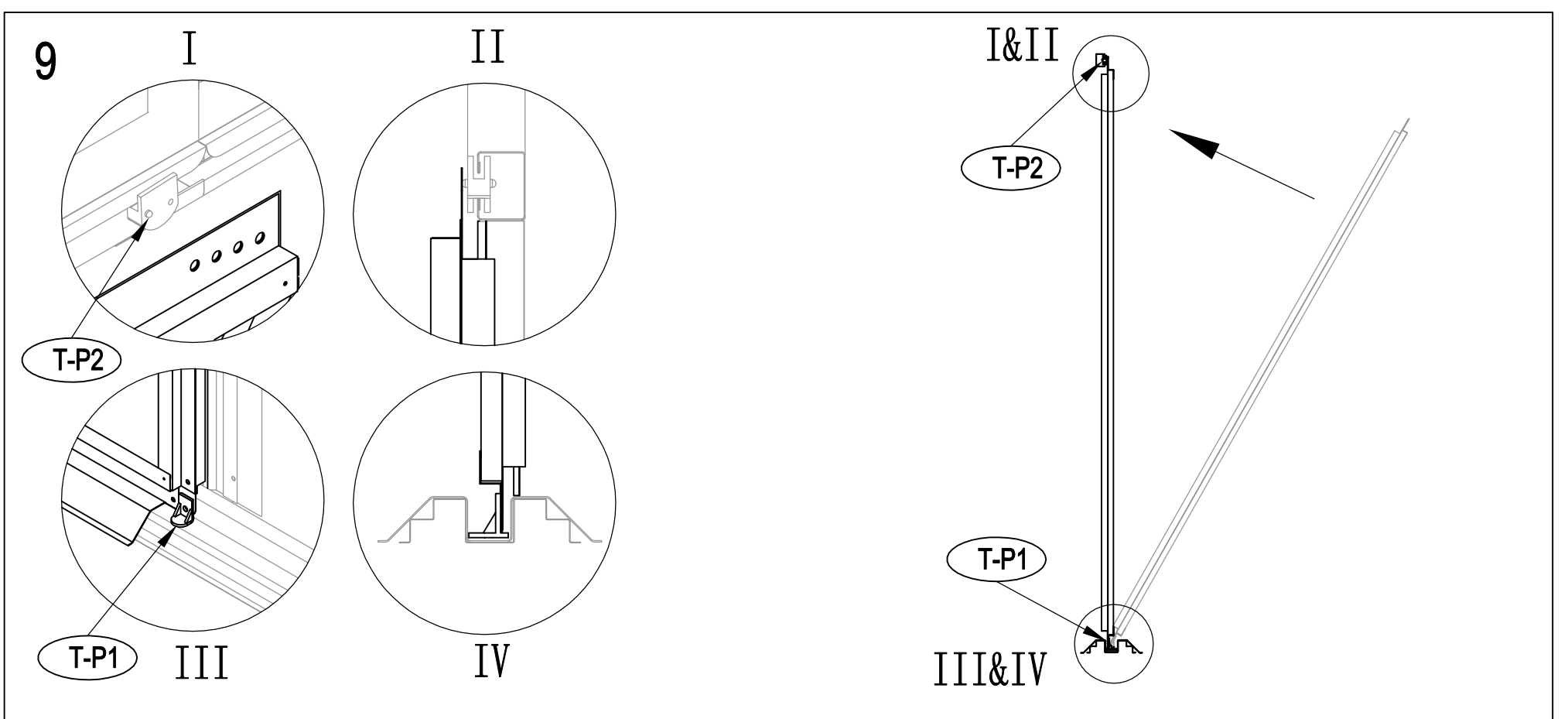
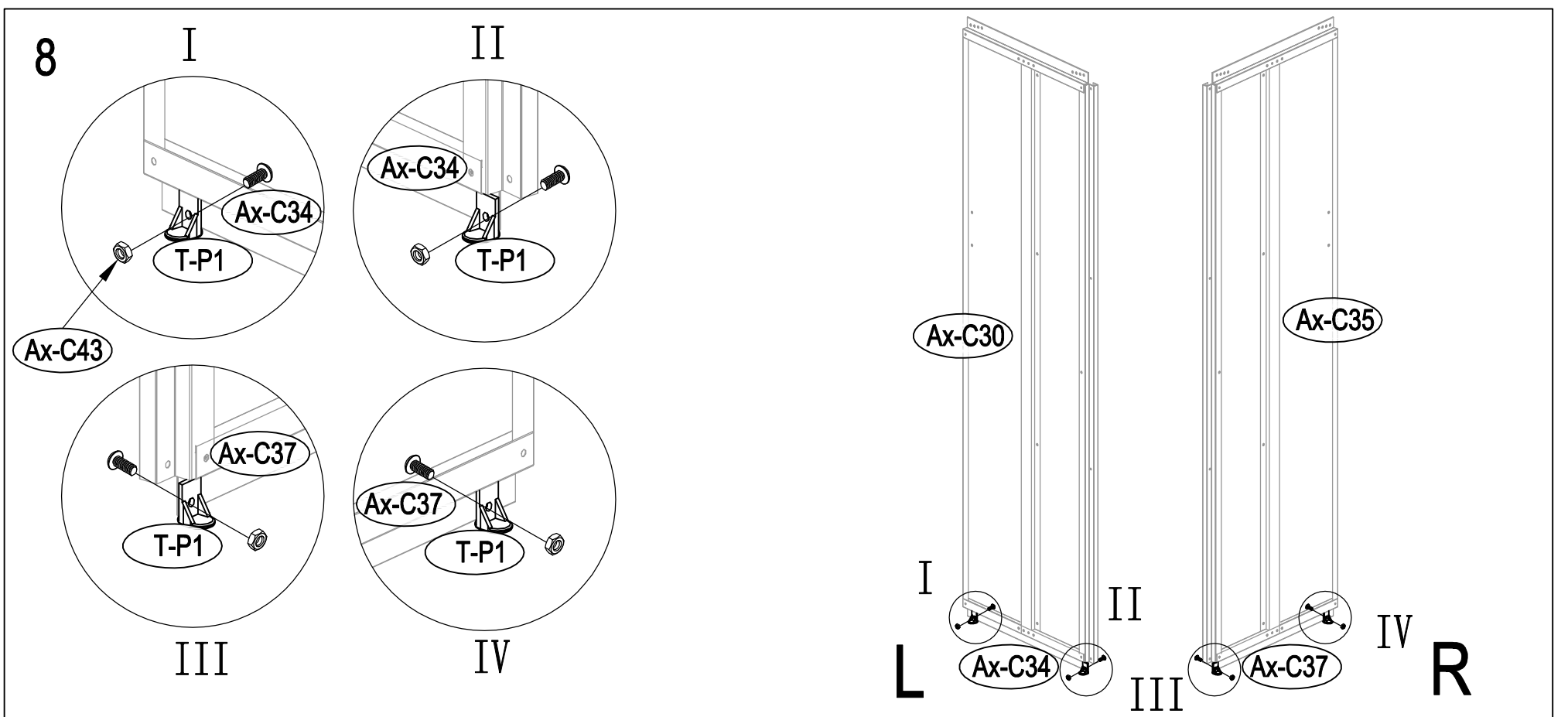
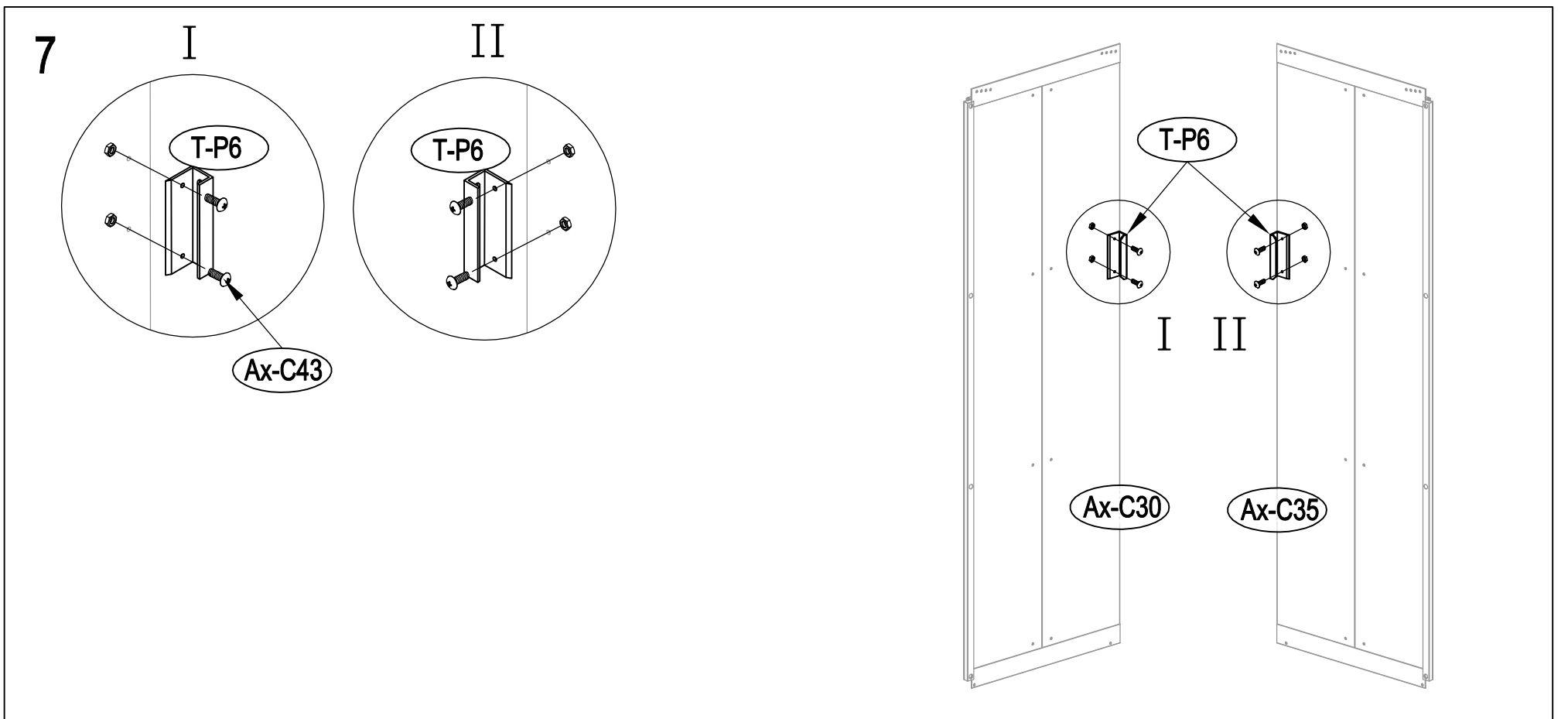






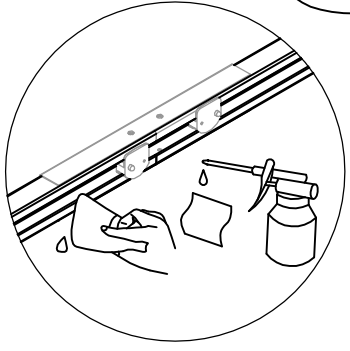




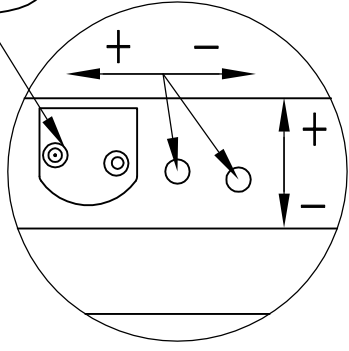


10

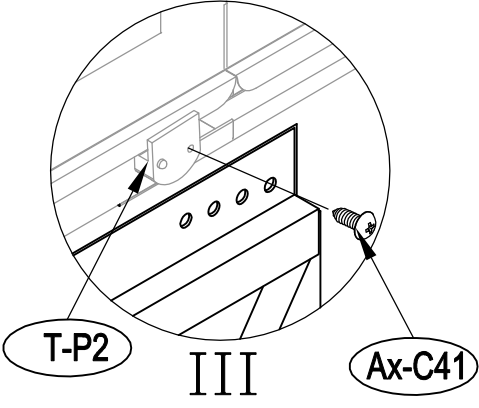
I



II



III



I&II&III

